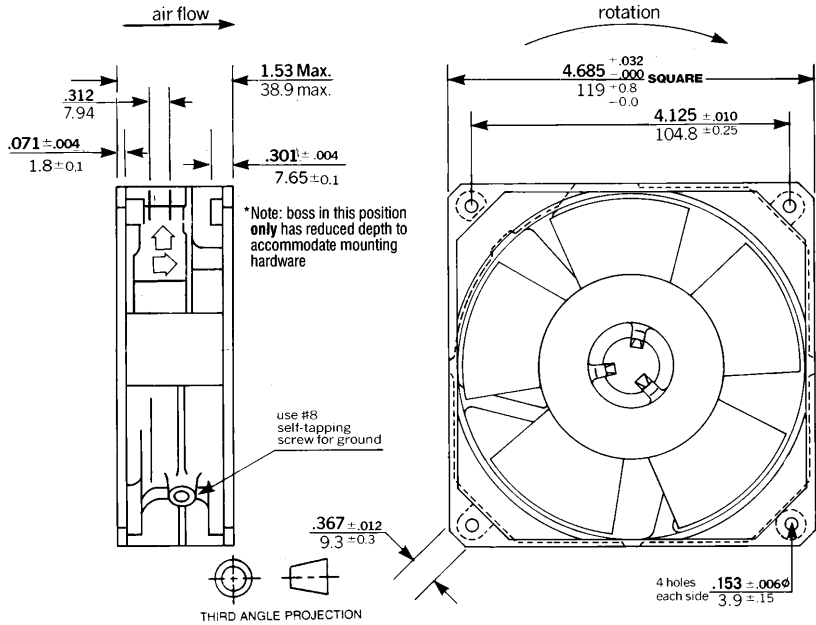


# AC FANS

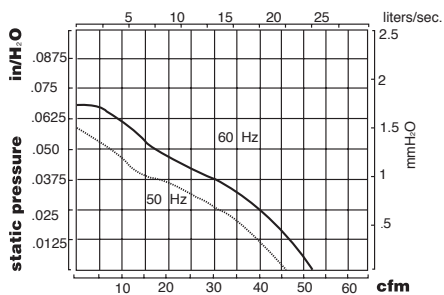
## Model 129

Size: 120 mm x 38 mm (4.69" x 1.5")

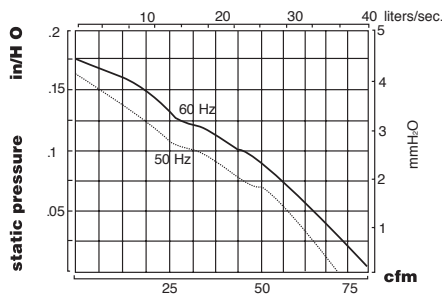


Part Number	Bearings	Voltage(VAC)	Frequency(Hz)	Current(mA)	Input(watts)	Noise(dBA)	Speed(rpm)	Airflow(cfm)
129XR-2282-010	Sleeve	115	50/60	200/180	16/15	49/54	2800/3200	96/111
129XR-0282-010	Ball							
129XR-2281-010	Sleeve	220	50/60	125/105	18/15	49/54	2800/3200	96/111
129XR-0281-010	Ball							
129LG-2282-010	Sleeve	115	50/60	200/160	16/13	44.5/47.5	2200/2400	72/83
129LG-0282-010	Ball							
129LG-2281-010	Sleeve	220	50/60	110/90	18/15	44.5/47.5	2200/2400	72/83
129LG-0281-010	Ball							
129XL-2282-010	Sleeve	115	50/60	135/115	12/10	31/33.5	1350/1550	46/52
129XL-0282-010	Ball							
129XL-2281-010	Sleeve	220	50/60	75/65	12/10	31/33.5	1350/1550	46/52
129XL-0281-010	Ball							

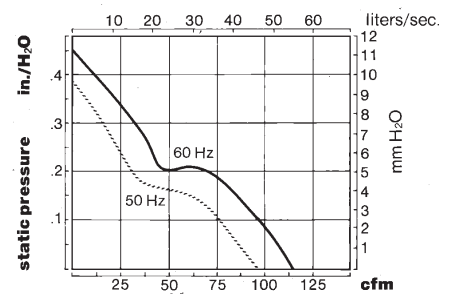
**129XL Performance Curve**



**129LG Performance Curve**



**129XR Performance Curve**



# ETRI Model 129 AC FANS

Size: 120 mm x 38 mm (4.69" x 1.5")



## ELECTRICAL SPECIFICATIONS

Item	Specification	Conditions/Tolerances
Motor type	shaded pole	2 pole type
Rated Voltage	115 VAC or 220 VAC	±10%
Frequency	50/60 Hz.	Able to operate at either frequency
Input Current	At nominal voltage	±10%
Input Power	At nominal voltage	±10%
Max air flow / Back pressure	All tested in submerged orifice chamber	±4% cfm/±8% pressure
Dielectric strength	2250 VAC	5 sec, 4mA leakage
Electrical Connection	"110" Faston terminals	
Speed	At nominal voltage	±4%

## MECHANICAL SPECIFICATIONS

Item	Specification	Conditions
Life expectancy	50,000 hours	continuous operation @ 25°C, 65% relative humidity
Bearing	ball bearing/sleeve bearing	Use under 70°C/Use under 55°C
Airflow direction	air intake over strut	
Housing material	Zamak (zinc alloy)	single piece die-cast housing
Impeller	Lexan 500-10% glass filled	UL 94V-0
Weight	0.725 kg. (25.5 oz)	
Rotation	clock-wise viewed from impeller	

## ENVIRONMENTAL SPECIFICATIONS

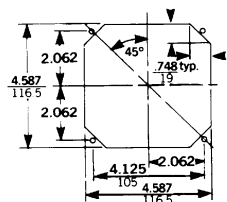
Item	Specification	Conditions
Operating temperature	-10 to +70°C/-10 to +55°C	Ball bearing/Sleeve bearing
Storage temperature	-40 to +70°C	6 months max.
Paint	Black enamel	
Acoustical	Anechoic chamber at free air	Microphone - 1 meter away

## PROTECTION

Item	Specification	Conditions
Locked rotor	impedance protected	
Insulation class	UL class A	
Agency approvals	UL, CSA, VDE*, CE	
Warranty	3 years	

\*VDE approval available on some models. Consult factory.

## PANEL CUT-OUT



## ACCESSORIES

ETRI fans are available with a wide range of accessories, from finger guards to filter assemblies to special termination. Request our accessories brochure or call your nearest distributor for complete details.



1503, Rocky River Road North  
Monroe, NC 28110 USA  
Tel: 704.289.5423  
Fax: 704.283.7170

9-11, rue de Moulin des Bruyères  
92400 Courbevoie FRANCE  
Tel: (33-1) 49 04 92 00  
Fax: (33-1) 47 89 09 38

Website: <http://www.etrinet.com> Email: [sales@etrinet.com](mailto:sales@etrinet.com)