

Class T Fuseblocks

600 Volt, 1/2 to 600 Amps

T600



Catalog Symbol: T600

Ampere Rating: 1/2 to 600 Amperes

Voltage Rating: 600 Volts AC

Agency Approvals:

UL Listed, UL512, Guide IZLT, File E14853

CSA Certified, C22.2 No. 39, Class 6225-01, File 47235

Withstand Rating: 200,000A RMS Sym.

For use with Class T fuses (Bussmann JJS and LPT).

Materials: Glass Polyester, Phenolic on 600A

UL Flammability: 94 VO

Class T Fuseblocks (600V) Catalog Data

Amps	Poles	Catalog Numbers		Figure Number	Max. Wire Size
		Screw	Box Lug		
1/2-30	1	T60030-1SR	T60030-1CR	1	SR #10Cu; CR #2Cu-Al
	2	T60030-2SR	T60030-2CR		
	3	T60030-3SR	T60030-3CR		
31-60	1	T60060-1SR	T60060-1CR	2	CR#2Cu-Al SR #10Cu
	2	T60060-2SR	T60060-2CR		
	3	T60060-3SR	T60060-3CR		
61-100	1	—	T60100-1C	3	2/0 Cu-Al
	2	—	T60100-2C		
	3	—	T60100-3C		
101-200	1	—	T60200-1C	4	250MCM Cu-Al
3	—	1B0089			
201-400	1	—	T60400-1C	5	600MCM Cu-Al
401-600	1	—	T60600-1C	6	(2) 600MCM Cu-Al

CE CE logo denotes compliance with European Union Low Voltage Directive (50-1000 VAC, 75-1500 VDC). Refer to BIF document #8002 or contact Bussmann Application Engineering at 636-527-1270 for more information.

Dimensional Data

Figure 1. 1/2A to 30A All dimensions (± 0.016)

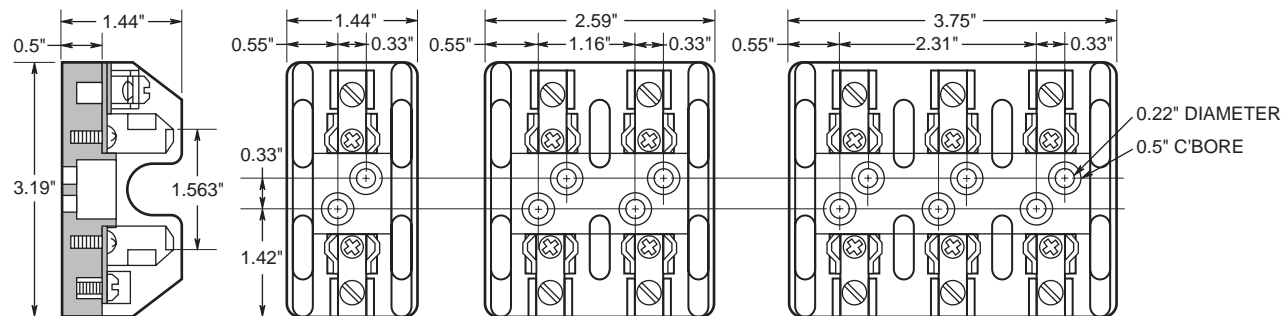
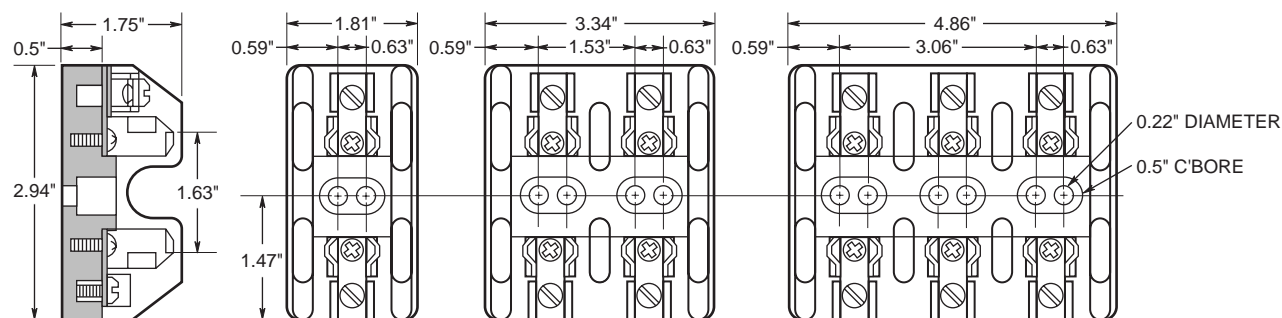


Figure 2. 31A to 60A



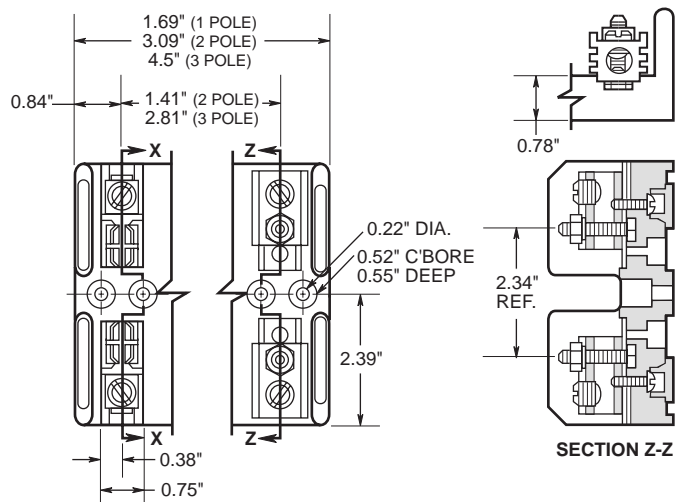
Class T Fuseblocks

600 Volt, 1/2 to 600 Amps

T600



Figure 3. 61A to 100A



All dimensions (± 0.016)

Figure 4. 101A to 200A

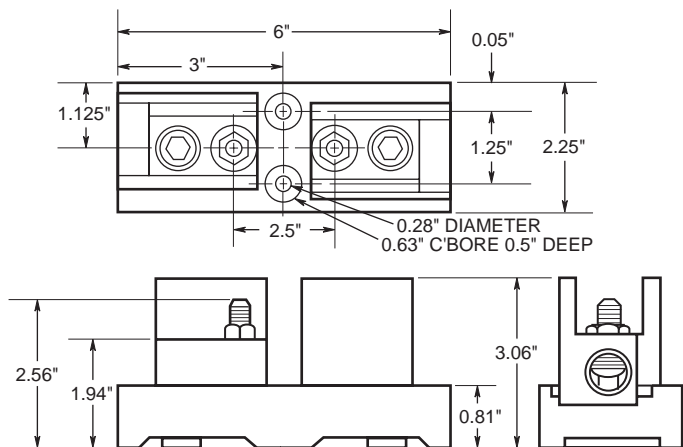


Figure 5. 201A to 400A

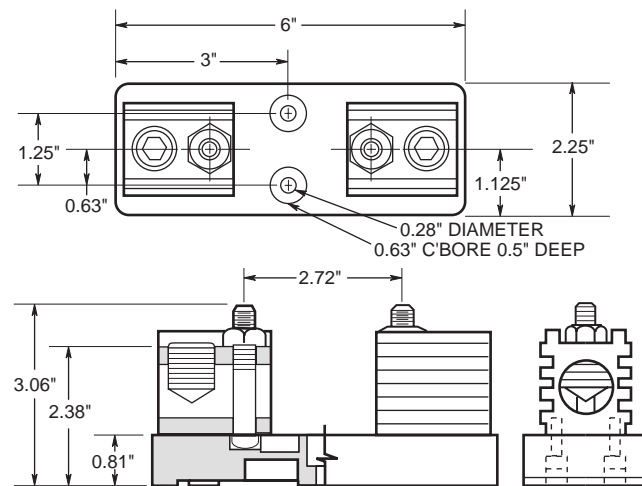
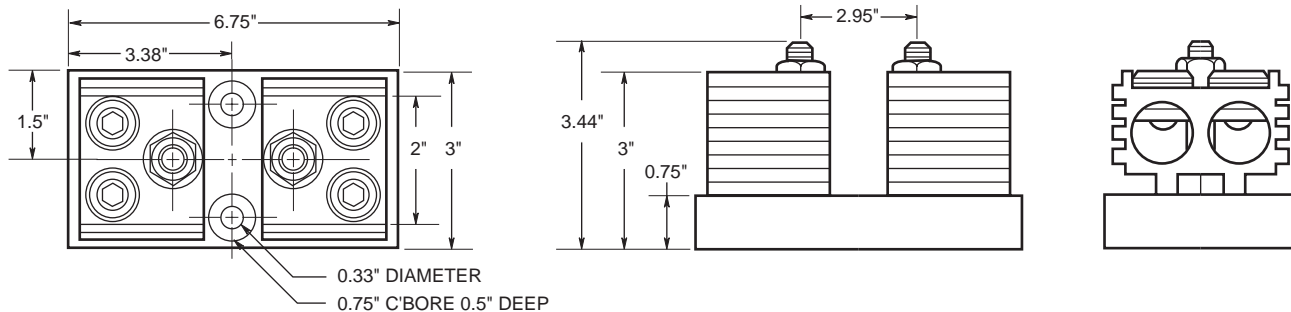


Figure 6. 401A to 600A



The only controlled copy of this BIF document is the electronic read-only version located on the Bussmann Network Drive. All other copies of this document are by definition uncontrolled. This bulletin is intended to clearly present comprehensive product data and provide technical information that will help the end user with design applications. Bussmann reserves the right, without notice, to change design or construction of any products and to discontinue or limit distribution of any products. Bussmann also reserves the right to change or update, without notice, any technical information contained in this bulletin. Once a product has been selected, it should be tested by the user in all possible applications.