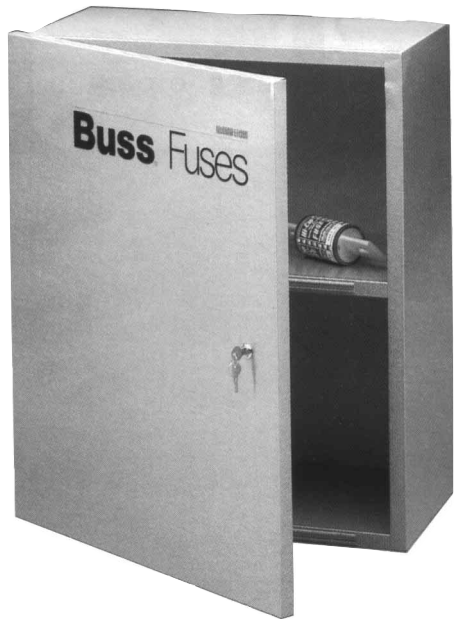
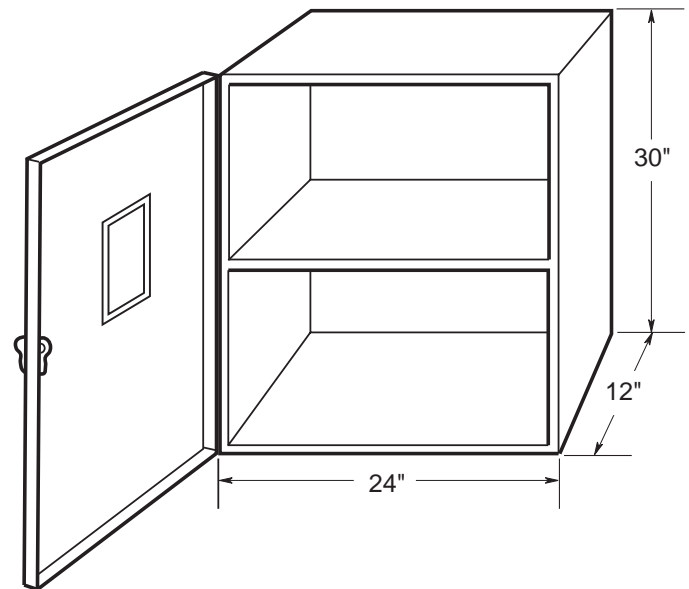


Spare Fuse Cabinet

SFC-FUSE-CAB



Dimensional Data



CATALOG SYMBOL: SFC-FUSE-CAB

- Sturdy storage cabinet that conveniently holds spare fuses.
- Constructed of .080 heavy gauge aluminum for extra strength and durability, yet is 50% lighter than steel.
- Five cubic feet of storage space.
- Locate one or more in strategic locations so you have easy access to needed replacement fuses.
- Cabinet door is equipped with locking handle and cylinder lock.
- Durable baked ASA 61 grey enamel on the cabinet matches most switch-gear and equipment in the electrical service room.
- Mounting holes with key slot 16-inches on center to meet standard 16-inch building studs for easy mounting.

The only controlled copy of this BIF document is the electronic read-only version located on the Bussmann Network Drive. All other copies of this BIF document are by definition uncontrolled. This bulletin is intended to clearly present comprehensive product data and provide technical information that will help the end user with design applications. Bussmann reserves the right, without notice, to change design or construction of any products and to discontinue or limit distribution of any products. Bussmann also reserves the right to change or update, without notice, any technical information contained in this bulletin. Once a product has been selected, it should be tested by the user in all possible applications.