

Class J (Touch Safe) Fuseholders



JT60030
JTN60030 (w/Indication)
JT60060
JTN60060 (w/Indication)

For use with Bussmann Class "J" fuses - (Bussmann LPJ, JKS)

Catalog Numbers: JT60030 and JT60060 - Non-Indicating; JTN60030 and JTN60060 - Indicating (Neon)

Construction: Thermoplastic, UL Flammability; 94VO

Voltage Ratings: 600 Volts AC or less, 600 Volts DC or less*

Amperage Rating: JT(N) 60030 - 30 Amps., JT(N)60060 - 60 Amps

Withstand Rating: 200,000 Amps RMS Sym. (Self Certified at 300,000 Amps using Bussmann LPJ_SP fuses)

Agency Approvals:

Listed to UL 512: 30 - 60A (Guide IZLT, File 14853)
 CSA Certified: 30 - 60A (Class 6225-01, File 47235)

CE Mark: Molded into product

Indication: Min. voltage: 90 VAC, 115 DC; Neon Lamp "ON" when fuse opens, voltage source and current path are present*

Touch Safe: IP20 per IEC 529

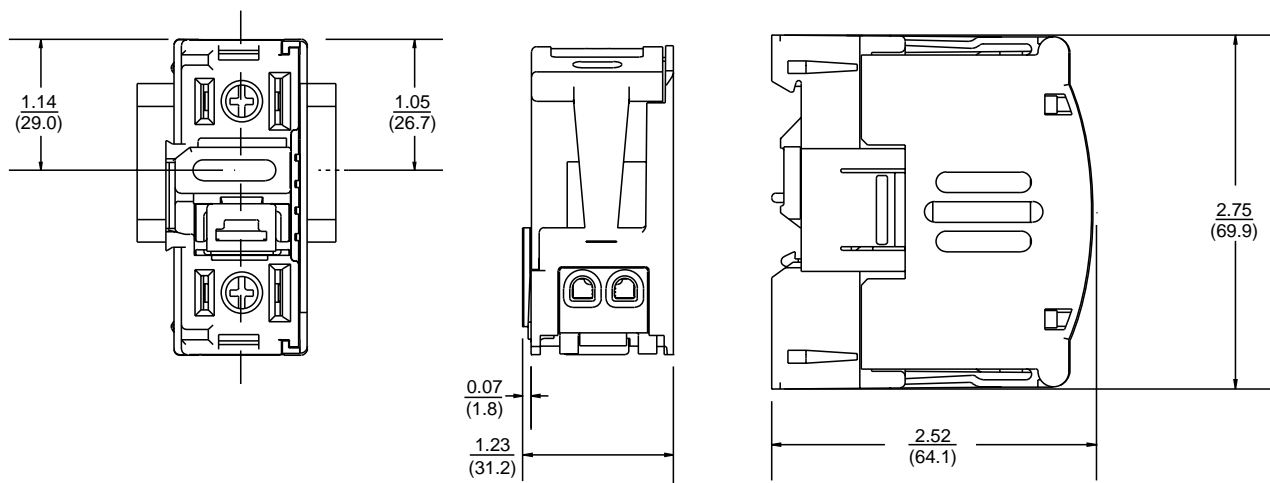
Terminations: Dual Port (30A) Torque 20 lb. in., Single Port (60A) Torque 45 lb. in., Terminal Construction, Tin plated Copper Alloy

Wire Size: JT(N)60030 - Rated for #18-#8; 75°C, CU only, JT(N)60060 - Rated for #14-#4; 75°C, CU only

(Note: For JT(N)60030 use both stranded or solid, in a variety of dual wire combinations of same wire type.*)

Packaging: 12 in a carton

*Contact Applications Engineering at (314) 527-1270 if you have questions.



Dim. = $\frac{\text{in.}}{\text{(mm.)}}$

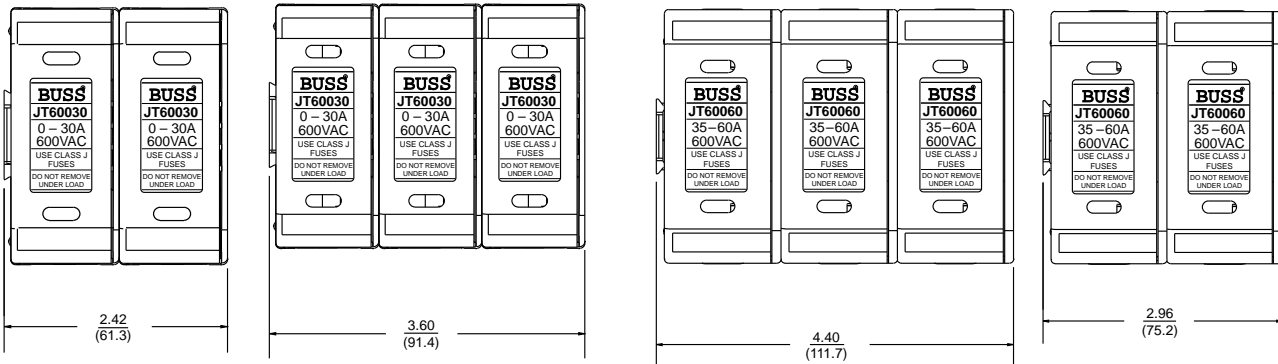
JT60030
JTN60030



Class J (Touch Safe) Fuseholders

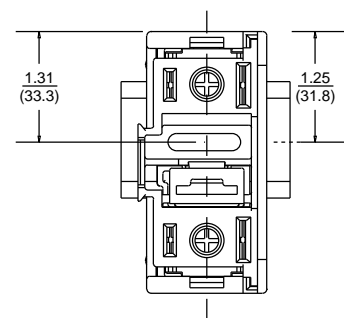
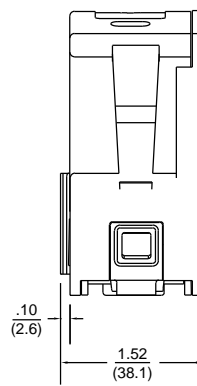
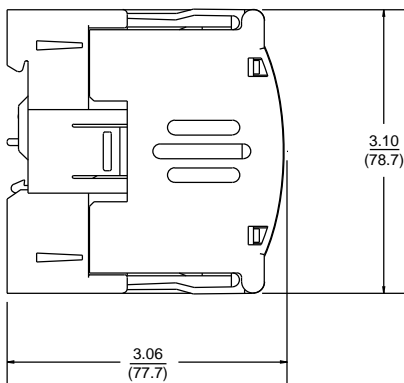


JT(N)600 Series fuseblocks can be ganged together to provide two and three pole block configurations.



**JT60030
JTN60030**

**JT60060
JTN60060**



**JT60060
JTN60060**

Dim. = $\frac{\text{in.}}{\text{(mm.)}}$

This bulletin is intended to clearly present comprehensive product data and provide technical information that will help the end user with design applications. Bussmann reserves the right, without notice, to change design or construction of any products and to discontinue or limit distribution of any products. Bussmann also reserves the right to change or update, without notice, any technical information contained in this bulletin. Once a product has been selected, it should be tested by the user in all possible applications.

