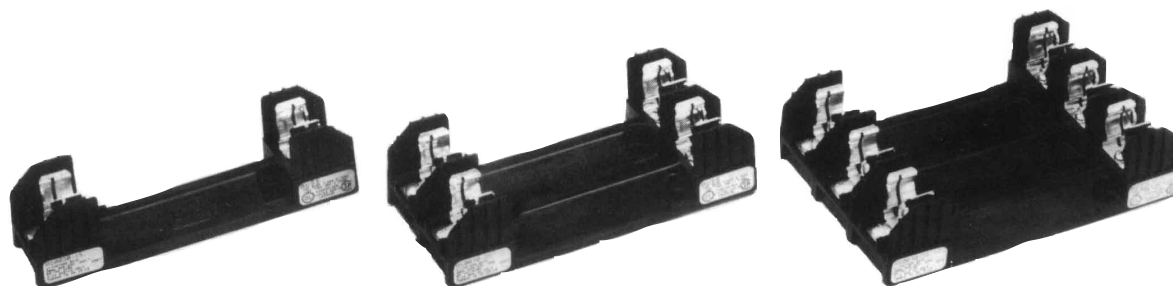


Class R Fuseblocks

250 Volts

R250 Series



Catalog Symbol: R250 Series
 Ampere Rating: 1/10-600 Amperes
 Voltage Rating: 250 Volts AC
 Agency Approval:
 U.L. Listed, U.L. 512, Guide IZLT, File E14853
 CSA Certified, C22.2 No. 39,
 Class 6225-01, File 47235
 Withstand Rating: 200,000A RMS Sym.
 For use with Class R fuses (LPN-RK and FRN-R)
 Materials: Thermoplastic
 U.L. Flammability: 94 VO
 Temperature Rating (RTI): 130°C

Class R Fuseblocks (250V) Catalog Data (for LPN-RK, FRN-R, DLN-R and KTN-R Fuses)

Amps	Poles	Basic Catalog Number	Terminal Type (Suffix No.)					Dimensions (Inches)											Max. Wire Size	
			Screw w/		Box Lug w/		0.25" Quick-Connect	Fig. No.	A	B	C	D	E	F	G	H	J Dia. x C' Bore	K		
			—	Pres. Plate	—	Clip Cu Only														
1/10	1	R25030-1	SR	PR	CR	COR	QR*	1	(See Figures)											S.P. #10 Cu C #2 Cu-Al
to	2	R25030-2	SR	PR	CR	COR	QR*	2												
30	3	R25030-3	SR	PR	CR	COR	QR*	3												
31	1	R25060-1	SR*	PR	CR	COR	—	4	4.25	1.73	1.5	1.5	0.5	0.5	1.25	1.31	0.22 x 0.41	0.27	S.P. #10 Cu C #2 Cu-Al	
to	2	R25060-2	SR*	PR	CR	COR	—	5			2.81									
60	3	R25060-3	SR*	PR	CR	COR	—	6			4.125									
61	1	R25100-1	—	—	CR	COR	—	7	(See Figures)											#1/0 Cu-Al
to	2	R25100-2	—	—	CR	COR	—	8												
100	3	R25100-3	—	—	CR	COR	—	9												
101	1	R25200-1	—	—	CR	COR	—	10	7.125	3.15	3.0	2.06	0.5	2.0	3.0	0.75	—	0.31	250MCM Cu-Al	
to	3	R25200-3	—	—	CR	COR	—	11	(See Figure)											
200																				
201	1	R25400-1	—	—	CR*	COR*	—	10	9.06	4.0	3.0	3.02	0.91	1.75	3.0	1.0	—	0.56	500MCM Cu-Al	
to	3	R25400-3	—	—	CR	COR*	—	12	9.06	4.0	4.0	2.5	0.82	9.25	10.88	1.0				
400																				
401	1	R25600-1	—	—	CR	—	—	10	11.0	4.97	3.0	4.0	1.125	1.75	4.0	1.0	—	0.56	2-500MCM Cu-Al	
to	3	R25600-3	—	—	CR	—	—	12	11.0	4.97	5.0	3.0	1.87	11.0	14.74	1.0				
600																				

*U.L. Recognized, No CSA Certification.

CE logo denotes compliance with European Union Low Voltage Directive (50-1000 Vac, 75-1500 Vdc). Refer to BIF document #8002 or contact Bussmann Application Engineering at 314-527-1270 for more information.

Class R Fuseblocks

250 Volts

R250 Series

Dimensional Data
250V 1/10A to 30A

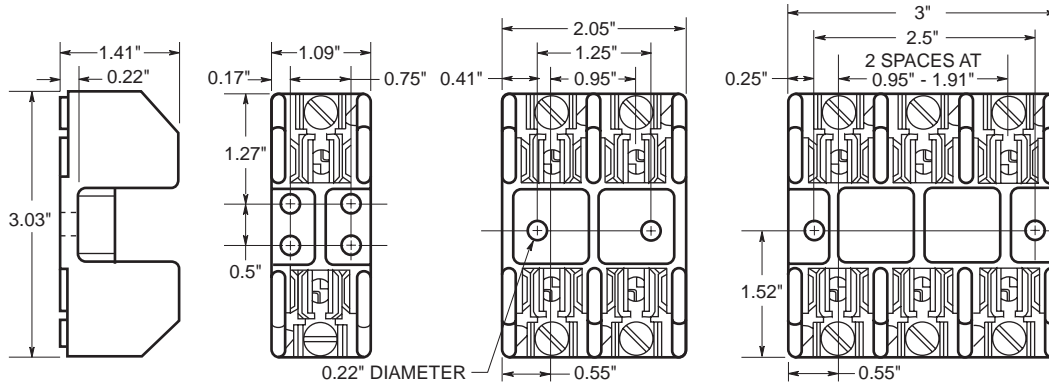


FIGURE 1.

FIGURE 2.

FIGURE 3.

250V, 31A to 60A

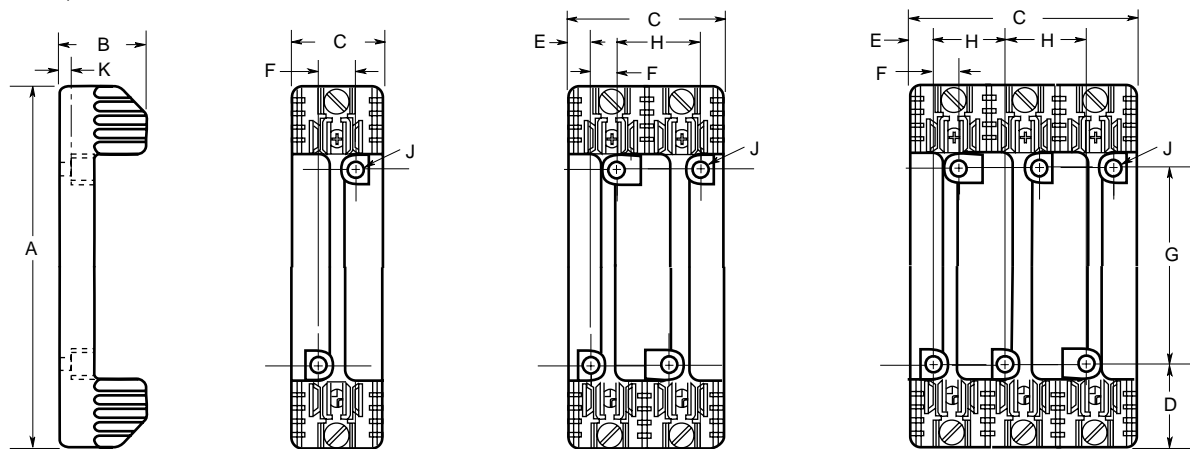


FIGURE 4.

FIGURE 5.

FIGURE 6.

250V, 61A to 100A

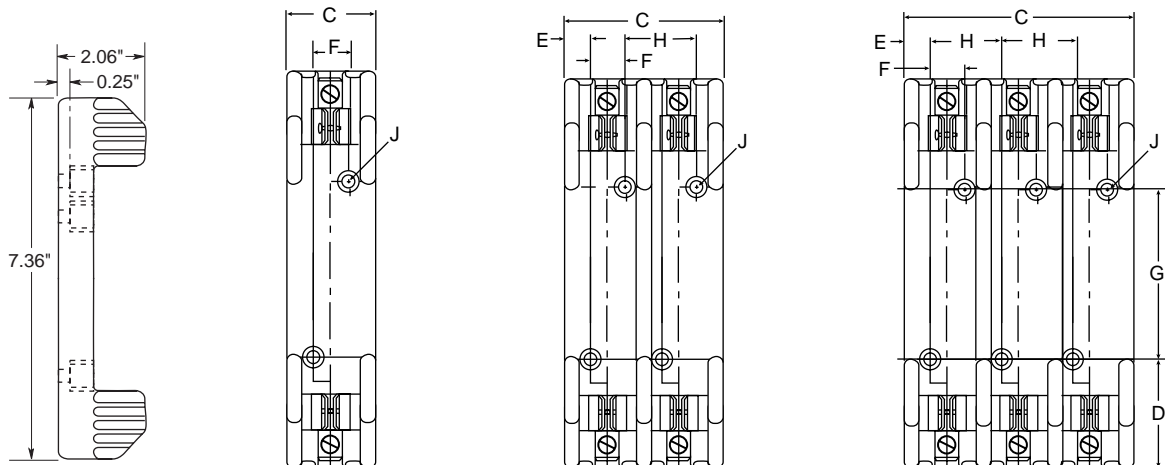


FIGURE 7.

FIGURE 8.

FIGURE 9.

Class R Fuseblocks

250 Volts

R250 Series

250V, 101A to 600A

250V, 101A to 200A

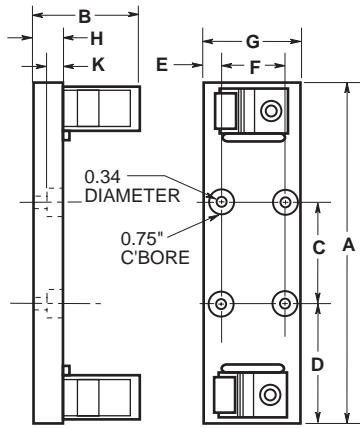


FIGURE 10.

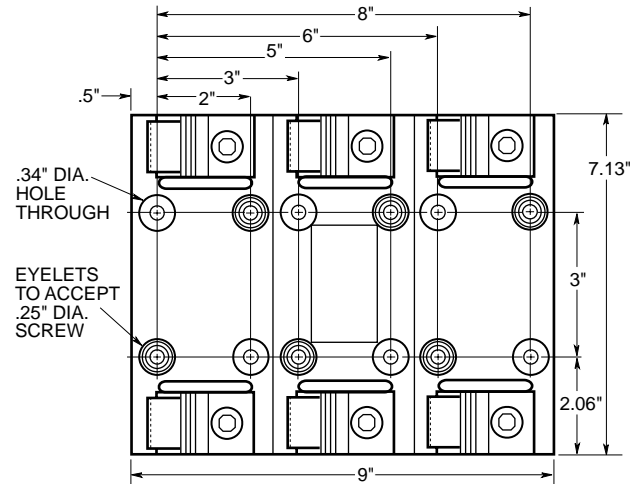
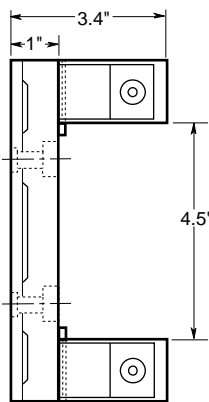


FIGURE 11.

250V, 201A to 600A

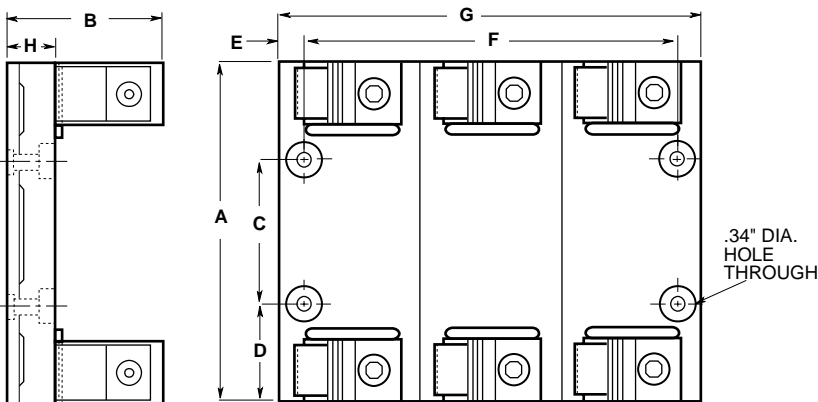


FIGURE 12.

The only controlled copy of this BIF document is the electronic read-only version located on the Bussmann Network Drive. All other copies of this document are by definition uncontrolled. This bulletin is intended to clearly present comprehensive product data and provide technical information that will help the end user with design applications. Bussmann reserves the right, without notice, to change design or construction of any products and to discontinue or limit distribution of any products. Bussmann also reserves the right to change or update, without notice, any technical information contained in this bulletin. Once a product has been selected, it should be tested by the user in all possible applications.