

# OPTIMA™ Overcurrent Protection Module

# OPM-CC



Catalog Symbol: OPM-CC  
 Ampere Rating: 30A or less  
 Voltage Rating: 600 Volts AC (or less)\*  
 Interrupting Rating: 200,000A RMS  
 Agency Approvals:  
 UL Listed, UL512, Guide IZLT, File E14853  
 CSA Certified, C22.2 No. 39, Class 6225-01, File 47235  
 Housing and Module:  
 UL Recognized high performance thermoplastic.  
 Flammability: 94 VO  
 \*Contact Bussmann for DC ratings.

### Physical Characteristics:

- Holds Buss® LP-CC or other Buss Class CC fuses.
- Small size matches 45mm IEC starter width.
- Rated for #18 - #10 gauge wire, both stranded and solid, and a variety of dual wire combinations.
- 3 pole version.
- Phil/slot screws.
- Pressure plate terminations.

### Current-Limitation:

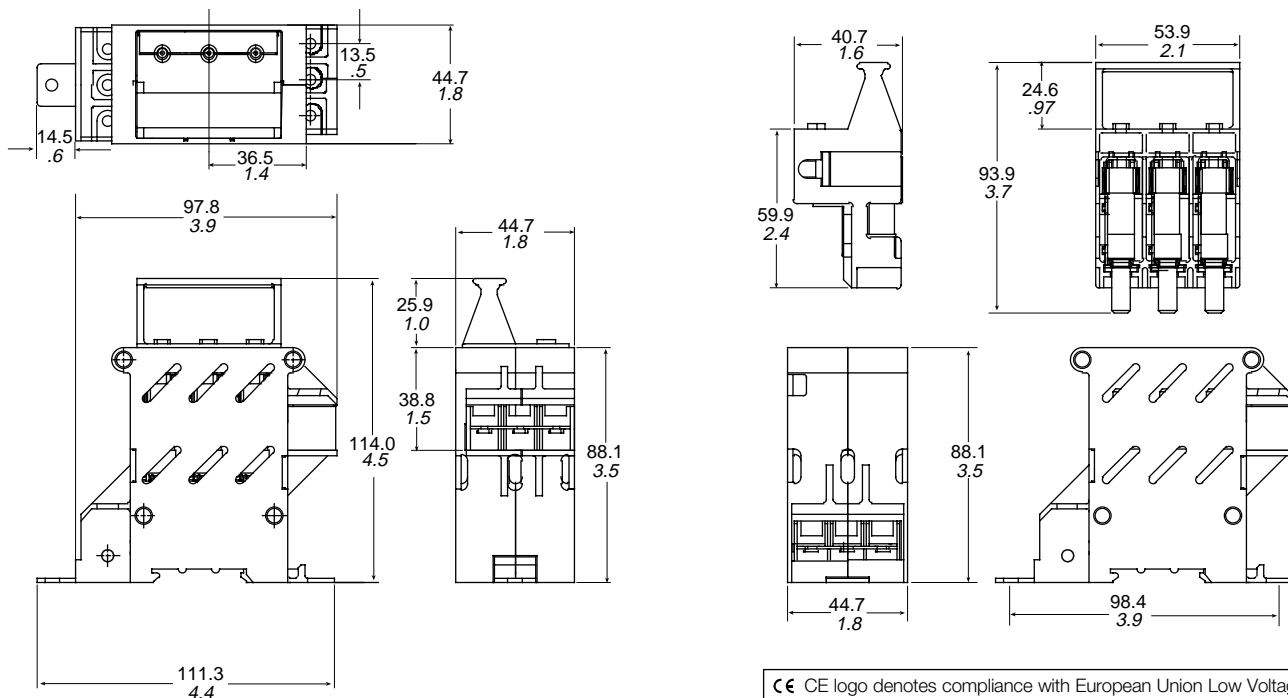
- The Class CC fuse affords a high degree of current-limitation.
- Provides Type 2 protection for motor starters (*when used with properly sized LOW-PEAK® Class CC fuses from Bussmann*).

### Safety Features:

- Rejection of non-Class CC fuses.
- Blown fuse indicators.
- Safety handle.
- Finger safe terminals.
- Removable module for convenient fuse loading.
- 35mm Din-rail or screw mount.
- Dead-front construction. No exposed contacts with module installed.
- Padlockable.

### Dimensional Data

Millimeters (± 0.38)  
 Inches (± 0.015)



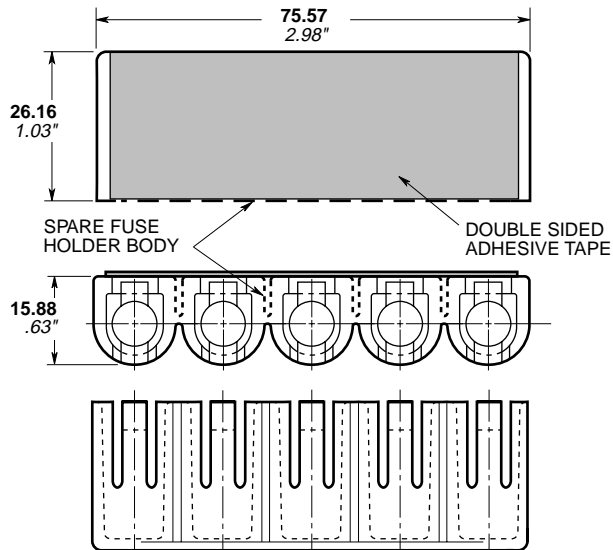
CE CE logo denotes compliance with European Union Low Voltage Directive (50-1000 VAC, 75-1500 VDC). Refer to BIF document #8002 or contact Bussmann Application Engineering at 314-527-1270 for more information.

# OPTIMA™

## Overcurrent Protection Module

OPM-CC

Spare Fuseholder for Class CC fuses.  
Part No. 5TPH



Available only in bulk quantities.

The only controlled copy of this BIF document is the electronic read-only version located on the Bussmann Network Drive. All other copies of this document are by definition uncontrolled. This bulletin is intended to clearly present comprehensive product data and provide technical information that will help the end user with design applications. Bussmann reserves the right, without notice, to change design or construction of any products and to discontinue or limit distribution of any products. Bussmann also reserves the right to change or update, without notice, any technical information contained in this bulletin. Once a product has been selected, it should be tested by the user in all possible applications.