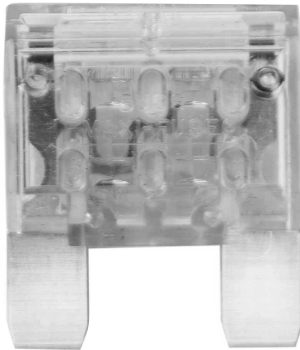


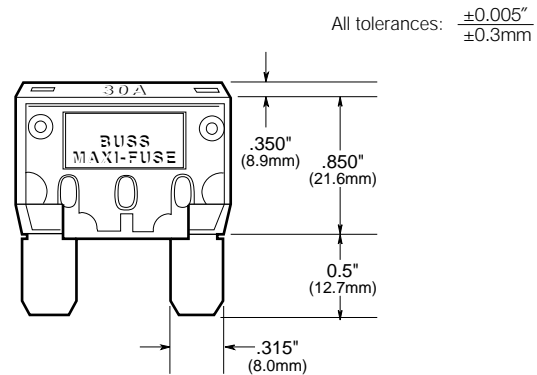
Blade-Type Fuses

32 Volts DC, 20 to 80 Amps

MAX



Dimensional Data



Catalog Symbol: MAX
 Fast-Acting
 Ampere Rating: 20 to 80 Amperes
 Voltage Rating: 32 Volts DC (or less)
 Interrupting Rating: 1,000 Amperes

Electrical Ratings (Catalog Symbol, Amp Rating, and Color)

MAX-20	Yellow	MAX-60	Blue
MAX-30	Green	MAX-70	Tan
MAX-40	Orange	MAX-80	Neutral
MAX-50	Red		

Shelf Carton Quantity and Weight

Fuse Type	Fuse Qty.	No. of Boxes	Wgt. (Lbs.)	Dimensions (Inches)	Volume (Cu. Ins.)
MAX	20	20 (1-in)	0.60	2.88 x 4.125 x 1.75	20.0

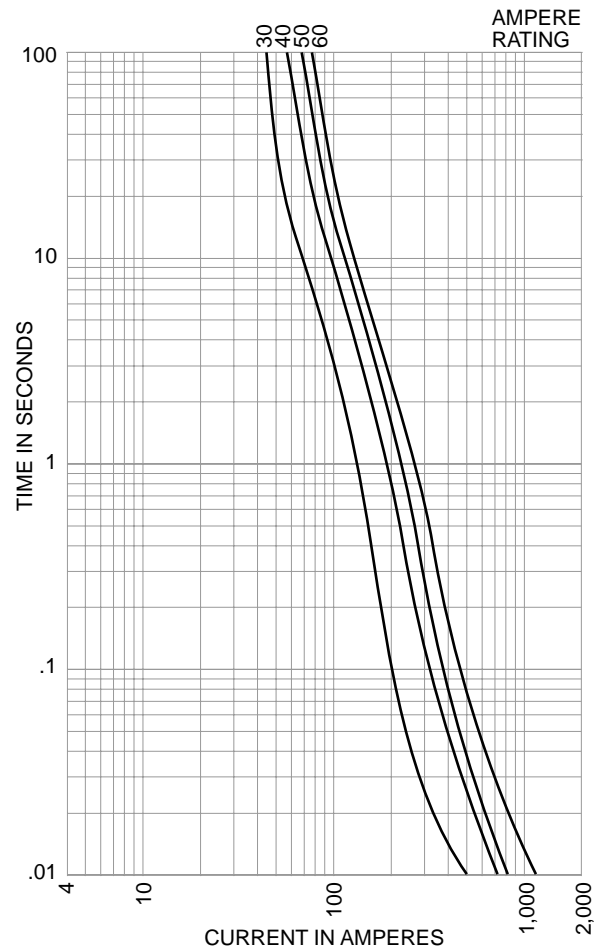
Recommended Bussmann Fuseholders

Blade-Type				
Fuse Type	Fuse Qty.	No. of Boxes	Wgt. (Lbs.)	Dimensions (Inches)
MAX	20	20 (1-in)	0.60	2.88 x 4.125 x 1.75

HHX Fuseholder w/Cover
 HHX-B Body Only
 HHX-C Cover Only

20-60 Amps #6 Lead Wire; 5" Length

Time-Current Characteristic Curves—Average Melt



The only controlled copy of this BIF document is the electronic read-only version located on the Bussmann Network Drive. All other copies of this document are by definition uncontrolled. This bulletin is intended to clearly present comprehensive product data and provide technical information that will help the end user with design applications. Bussmann reserves the right, without notice, to change design or construction of any products and to discontinue or limit distribution of any products. Bussmann also reserves the right to change or update, without notice, any technical information contained in this bulletin. Once a product has been selected, it should be tested by the user in all possible applications.