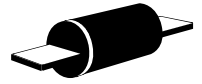


Semiconductor Fuses

North American Style

600VAC, 35-800 Amps



For new installations, Bussmann recommends the 700 Volt FWP series fuse. The 600V fuses are supplied as replacements only.

Type	Ordering Information				Dimensions		
					Carton Qty.	Carton Weight (lbs)	Figure Number
KBC 600V	KBC 35	KBC 45	KBC 60		10	1.40	Fig.1
	KBC 40	KBC 50					
	KBC 70	KBC 80	KBC 90	KBC 100	5	1.44	Fig.2
	KBC 110	KBC 150	KBC 200		1	0.48	Fig.1
	KBC 125	KBC 175					
	KBC 225	KBC 300	KBC 400		1	0.77	Fig.1
	KBC 250	KBC 350					
	KBC 450	KBC 500	KBC 600		1	1.32	Fig.1
	KBC 800				1	4.50	Fig.3

■ Interrupting rating 200kA RMS Symmetrical.

1 Kg = 2.2 lbs 1 lb = 0.45 Kg

Dimensions (inches)

Fig. 1: 35-60 and 110-600 Amp Range

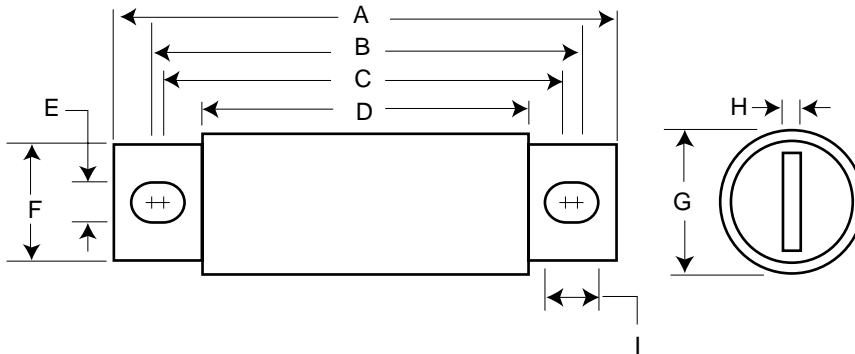


Fig. 2: 70-100 Amp Range

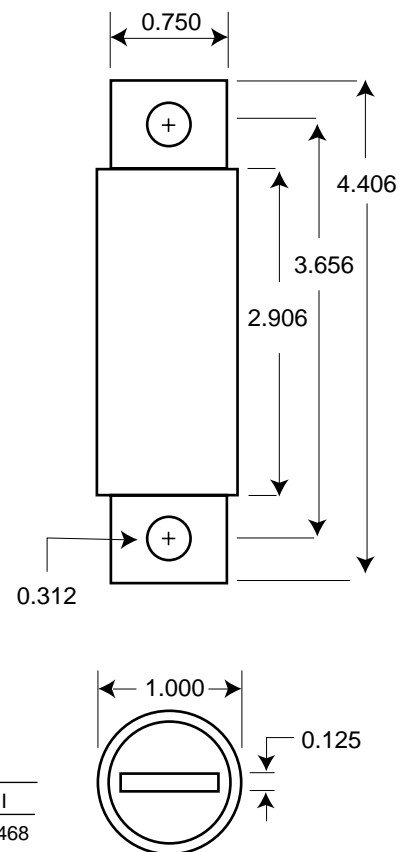
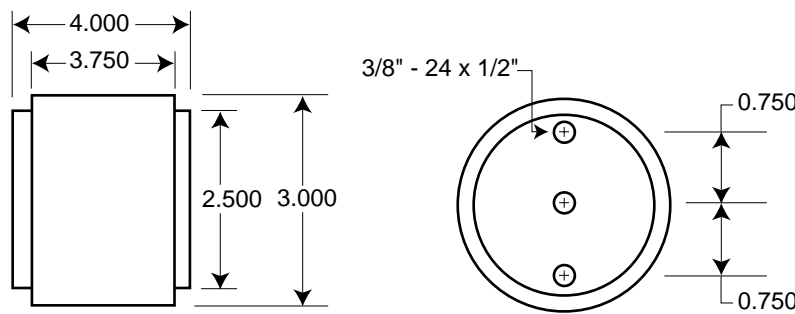


Fig. 3: 800 Amp Range



Order #	Fig.	A	B	C	D	E	F	G	H	I	
KBC 35-60	1	4.375	3.750	3.500	2.750	0.343	0.625	0.813	0.094	0.468	
KBC 70-100	2	See Drawing									
KBC 110-200	1	4.406	3.719	3.594	2.906	0.312	0.875	1.219	0.187	0.375	
KBC 225-400	1	5.125	4.188	3.563	2.906	0.406	1.000	1.500	0.250	0.719	
KBC 450-600	1	5.125	4.389	3.687	2.875	0.406	1.500	2.000	0.250	0.757	
KBC 800	3	See Drawing									

Dimension in inches.
1mm = 0.0394" 1" = 25.4mm

