

Class J Fuseblocks

600 Volt, 1/2-600 Amps

J600 Series



Catalog Symbol: J600 Series
 Ampere Rating: 1/2-600 Amperes
 Voltage Rating: 600 Volts AC
 Withstand Rating: 200,000 RMS Sym. Amps
 For use with Class J Fuses (Bussmann LPJ, JKS)
 Agency Approvals:
 U.L. Listed, U.L. 512, Guide IZLT, File E14853
 CSA Certified, C22.2 No. 39, Class 62205-01, File 47235
 Materials: Thermoplastic
 U.L. Flammability: 94 VO
 Temperature Rating (RTI): 130°C

Standard J Fuseblocks (600V) Catalog Data

Amps	Poles	Catalog Numbers				Fig. No.	Max. Wire Size
		Screw†	Pressure Plate†	Box Lug	Box Lug w/ Retaining Clip		
1/2-30	1	J60030-1S†	J60030-1P†	J60030-1C	J60030-1CR††	1	S.P. #10 Cu; C #2 Cu-Al
	2	J60030-2S†	J60030-2P†	J60030-2C	J60030-2CR††	2	
	3	J60030-3S†	J60030-3P†	J60030-3C	J60030-3CR††	3	
31-60	1	—	—	J60060-1C	J60060-1CR††	1	#2 Cu Al
	2	—	—	J60060-2C	J60060-2CR††	2	
	3	—	—	J60060-3C	J60060-3CR††	3	
61-100	1	—	—	—	J60100-1CR	11	1/0 Cu-Al
	3	—	—	—	J60100-3CR††	4	
101-200	1	—	—	—	J60200-1CR	5	250 MCM Cu-Al
	3	—	—	—	J60200-3CR	6	
201-400	1	—	—	—	J60400-1CR	7	500 MCM Cu-Al
	3	—	—	—	J60400-3CR	8	
401-600	1	—	—	—	J60600-1CR	9	(2) 500 MCM Cu-Al
	3	—	—	—	J60600-3CR	10	

†Clip reinforcing springs are standard on fuseblocks rated 100A and above. Available on 30A and 60A blocks by adding the letter "R" to the end of the part number.
 ††Copper only connections available by changing "CR" suffix to "COR".

Dimensional Data All dimensions (±0.015)

1/2-60A

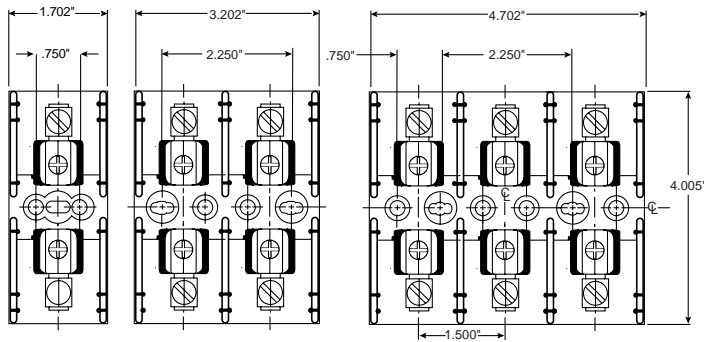


FIGURE 1.

FIGURE 2.

FIGURE 3.

61-100A

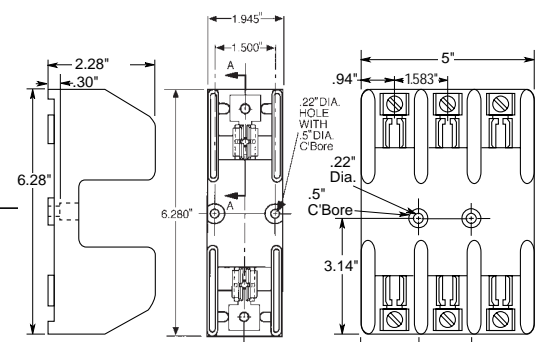


FIGURE 11.

FIGURE 4.

CE CE logo denotes compliance with European Union Low Voltage Directive (50-1000 Vac, 75-1500 Vdc). Refer to BIF document #8002 or contact Bussmann Application Engineering at 636-527-1270 for more information.

Class J Fuseblocks

600 Volt, 1/2-600 Amps

J600 Series

101-200A

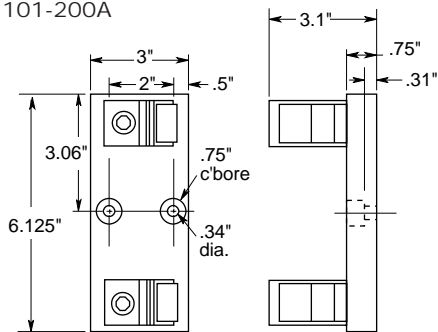


FIGURE 5.

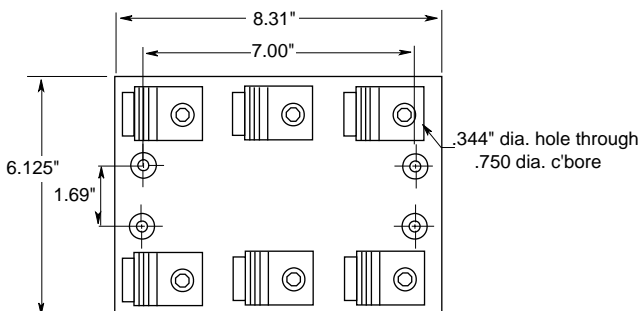
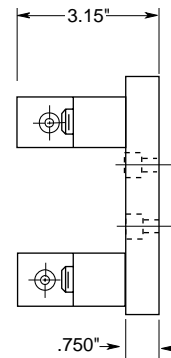


FIGURE 6.



201-400A

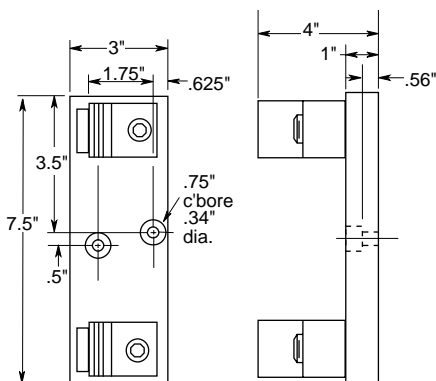


FIGURE 7.

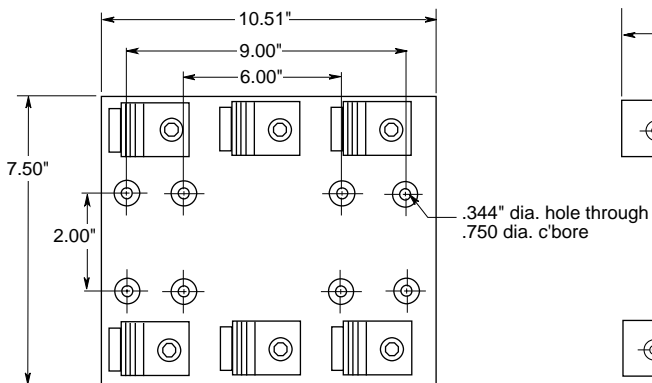
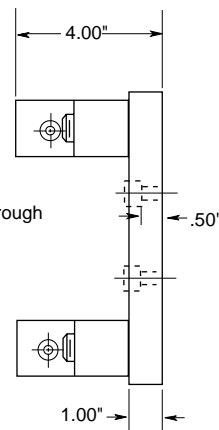


FIGURE 8.



401-600A

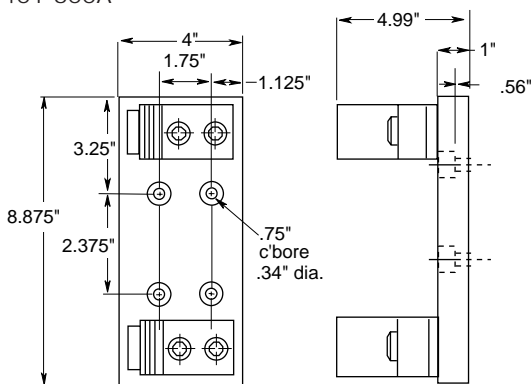


FIGURE 9.

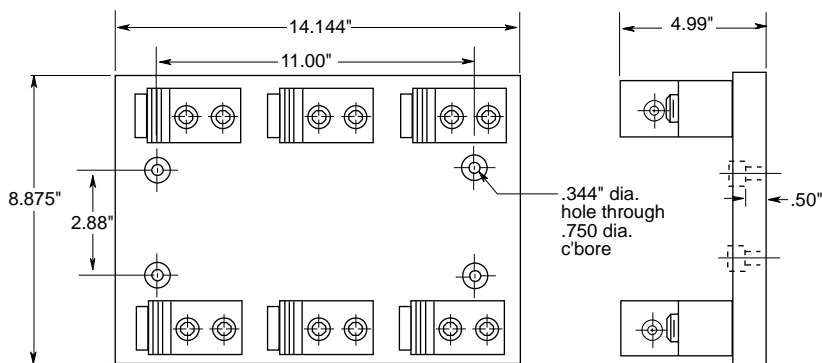
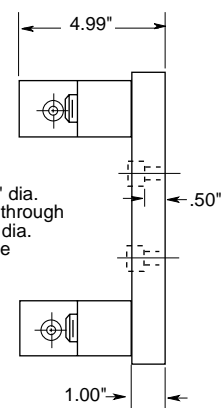


FIGURE 10.



All dimensions (±0.015)

The only controlled copy of this BIF document is the electronic read-only version located on the Bussmann Network Drive. All other copies of this BIF document are by definition uncontrolled. This bulletin is intended to clearly present comprehensive product data and provide technical information that will help the end user with design applications. Bussmann reserves the right, without notice, to change design or construction of any products and to discontinue or limit distribution of any products. Bussmann also reserves the right to change or update, without notice, any technical information contained in this bulletin. Once a product has been selected, it should be tested by the user in all possible applications.