

Panel-Mount Fuseholder

For 1³/₃₂" x 1¹/₂" Fuses

HPM



Catalog Symbol: HPM, HPM-D

Panel-Mount

Ampere Rating: 30 Amperes

Voltage Rating: 600 Volts AC

Agency Approvals:

U.L. Recognized, Guide IZLT2, File E14853

CSA Certified, Class 6225-01, File 47235

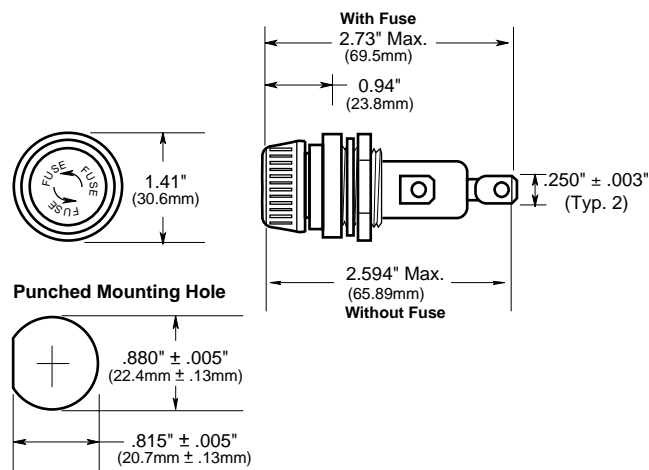
U.L. Flammability Rating: 94 VO

Temperature Rating (RTI): 150°C

Electrical Ratings

Catalog Symbol	Amps	Volts AC	Terminals
HPM	30	600	1/4" quick-connect/solder
HPM-D	30	600	Splash-proof knob

Dimensional Data



General Information:

- Screw-type knob.
- For supplementary protection of transformers, relays, ballasts and small motors.
- Has 1/4" quick-connect terminals.
- Replacement Caps -BK/9789-1/2.

CE CE logo denotes compliance with European Union Low Voltage Directive (50-1000 Vac, 75-1500 Vdc). Refer to BIF document #8002 or contact Bussmann Application Engineering at 314-527-1270 for more information.

The only controlled copy of this BIF document is the electronic read-only version located on the Bussmann Network Drive. All other copies of this document are by definition uncontrolled. This bulletin is intended to clearly present comprehensive product data and provide technical information that will help the end user with design applications. Bussmann reserves the right, without notice, to change design or construction of any products and to discontinue or limit distribution of any products. Bussmann also reserves the right to change or update, without notice, any technical information contained in this bulletin. Once a product has been selected, it should be tested by the user in all possible applications.