

# In-Line Fuseholders For MINI® Fuses

# HHL & HHM



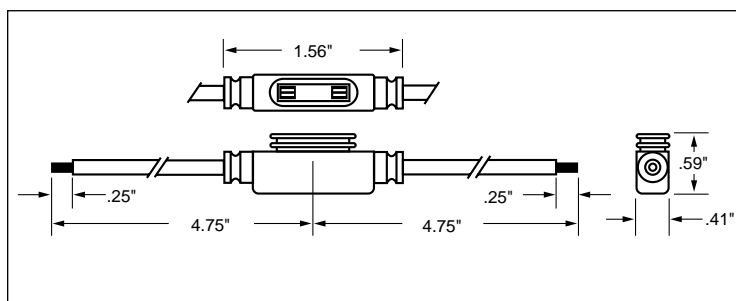
## HHL and HHM

In-Line Fuseholders for MINI® Fuses.

**Voltage Rating:** 32V

**Current Rating:** See Table

Body material withstands high temps. Protective cover has removable straps.



### MINI® Fuse Blade Type Holder

Catalog No.	Description	Fuse Size	Electrical Connection
HHL	Black fuseholder w/cover	2-20 Amps	#16 black lead wire;
HHL-B	Black fuseholder - Body only		4 3/4" length stripped to 1/4"
HHM	Black fuseholder w/cover	2-30 Amps	#12 red lead wire;
HHM-B	Black fuseholder - Body only		4 3/4" length stripped to 1/4"
HHM-C	Black cover only		

### Bulk Products (Bulk Quantity - 1000 Pieces)

Catalog No.	Description	Fuse Size	Electrical Connection
BK/HHL-R	Black fuseholder - Body only	2-20 Amps	#16 red lead wire; 4 3/4" length stripped to 1/4"

The only controlled copy of this BIF document is the electronic read-only version located on the Bussmann Network Drive. All other copies of this BIF document are by definition uncontrolled. This bulletin is intended to clearly present comprehensive product data and provide technical information that will help the end user with design applications. Bussmann reserves the right, without notice, to change design or construction of any products and to discontinue or limit distribution of any products. Bussmann also reserves the right to change or update, without notice, any technical information contained in this bulletin. Once a product has been selected, it should be tested by the user in all possible applications.