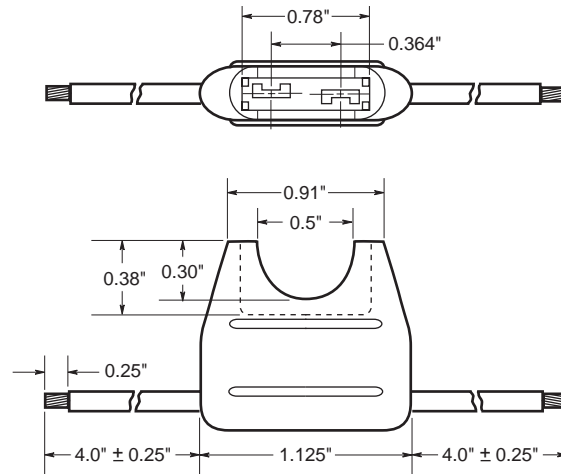


In-Line Fuseholder For ATC® Blade-Type Fuses

HHC, HHD, HHF, HHG



Dimensional Data

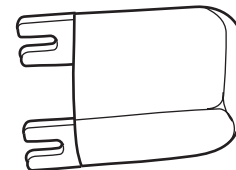


CATALOG SYMBOL: HHC, HHD, HHF, AND HHG
 IN-LINE FUSEHOLDERS
 RATED 32 VOLTS DC MAXIMUM
 CURRENT RATING: See Table

Electrical Ratings

Catalog Symbol	Description	Fuse Size	Electrical Connection
HHC	Yellow fuseholder	3-20 Amps	#16 black leadwire
HHD	Black fuseholder	3-30 Amps	#12 yellow leadwire
HHD-C	Cover only	Fits HHD only	Clear polycarbonate
HHF	Black fuseholder	3-20 Amps	#14 yellow leadwire
HHG	Black fuseholder w/ cover	3-30 Amps	#12 yellow leadwire

COVER FOR HHD FUSEHOLDER



CATALOG SYMBOL: HHD-C

- For ATC® blade-type fuses.
- "Write-in" space for circuit identification on HHC holders (bright yellow).

Bulk Products

(Bulk Quantity - 1000 pieces)

Catalog Symbol	Description	Fuse Size	Electrical Connection
BK/HHC-R	Yellow fuseholder	3-20 Amps	#16 red leadwire
BK/HHF-B	Black fuseholder	3-20 Amps	#16 black leadwire

The only controlled copy of this BIF document is the electronic read-only version located on the Bussmann Network Drive. All other copies of this BIF document are by definition uncontrolled. This bulletin is intended to clearly present comprehensive product data and provide technical information that will help the end user with design applications. Bussmann reserves the right, without notice, to change design or construction of any products and to discontinue or limit distribution of any products. Bussmann also reserves the right to change or update, without notice, any technical information contained in this bulletin. Once a product has been selected, it should be tested by the user in all possible applications.