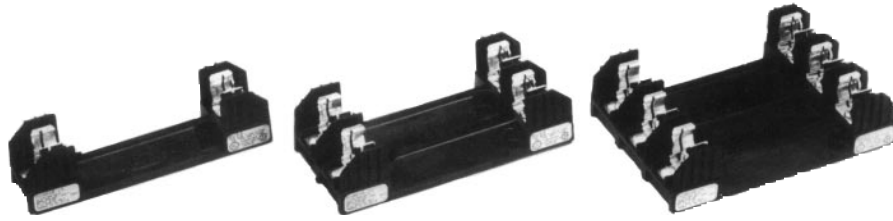


# Class H Fuseblocks 600 Volts

# H600 Series



Catalog Symbol: H600 Series  
 Ampere Rating: 1/10 to 600 Amperes  
 Voltage Rating: 600 Volts AC  
 Agency Approvals:  
 U.L. Listed, U.L. 512, Guide IZLT, File E14853  
 CSA Certified, C22.2 No. 39, Class 6225-01, File 47235  
 Withstand Rating: 10,000 Amps RMS Sym.  
 For use with Class K5 & H Fuses (Bussmann NOS and RES)  
 Materials: Thermoplastic  
 U.L. Flammability: 94 VO  
 Temperature Rating (RTI): 130°C

Class H Fuseblocks (600V) Catalog Data (for NOS and RES Fuses)

Amps	Poles	Basic Catalog Number	Terminal Type (Suffix No.)							Dimensions (Inches) – See Next Page For Figures											Max. Wire Size													
			Screw				Box Lug w/			0.25" Quick Connect	Fig. No.	A	B	C	D	E	F	G	H	J Dia. x C' Bore		K												
			Clip with Reinforced Spring	Pressure Plate	Pressure Plate & Clip with Reinforced Spring	Clip with Reinforced Spring	Clip w/ Reinforced Spring (Copper Only)	Copper Only																										
1/10 to 30	1	H60030-1	S	SR	P	PR	C	CR	COR	CO	—	1	6.25	1.73	1.55	1.56	0.46	0.62	3.125	1.56	0.28 x 0.5	0.27	S.P. #10 Cu C #6 Cu											
	2	H60030-2	S	SR	P	PR	C	CR	COR	CO	—	2			2.89																			
	3	H60030-3	S	SR	P	PR	C	CR	COR	CO	—	3			4.25																			
31 to 60	1	H60060-1	S	SR	P	PR	C	CR	COR	CO	—	4	(See Figures)											#2 Cu-Al										
	2	H60060-2	S	SR	P	PR	C	CR	COR	CO	—	5	(See Figures)																					
	3	H60060-3	S	SR	P	PR	C	CR	COR	CO	—	6	(See Figures)																					
61 to 100	1	H60100-1	—	SR	—	—	—	CR	COR	—	—	7	9.5	2.38	2.22	2.63	0.67	0.88	4.25	1.69	0.28 x 0.5	0.34	#1/0 Cu-Al											
	2	H60100-2	—	SR	—	—	—	CR	COR	—	—	8			4.03																			
	3	H60100-3	—	SR	—	—	—	CR	COR	—	—	9			5.84																			
101 to 200	1	H60200-1	—	—	—	—	—	CR	COR*	—	—	10	9.63	3.09	3.0	3.31	0.5	2.0	3.0	0.75	—	0.31	250MCM Cu-Al											
	3	H60200-3	—	—	—	—	—	CR	—	—	—	11												(See Figures)										
	(See Figures)																																	
201 to 400	1	H60400-1	—	—	—	—	—	CR	COR*	—	—	10	12.0	4.0	3.0	4.5	0.63	1.75	3.0	1.0	—	0.56	500MCM Cu-Al											
	3	H60400-3	—	—	—	—	—	CR	—	—	—	12												(See Figures)										
	(See Figures)																																	
401 to 600	1	H60600-1	—	—	—	—	—	CR	—	—	—	10	14.0	4.97	3.0	5.5	1.125	1.75	4.0	1.0	—	0.56	2-500MCM Cu-Al											
	3	H60600-3	—	—	—	—	—	CR	—	—	—	13												(See Figures)										
	(See Figures)																																	

\*U.L. Recognized, No CSA Certification.

CE CE logo denotes compliance with European Union Low Voltage Directive (50-1000 Vac, 75-1500 Vdc). Refer to BIF document #8002 or contact Bussmann Application Engineering at 314-527-1270 for more information.

# Class H Fuseblocks

## 600 Volts

# H600 Series

### Dimensional Data

600V, 1/10 to 30A

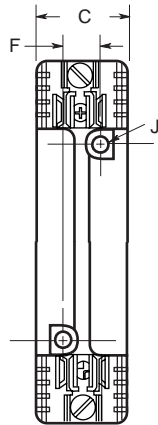
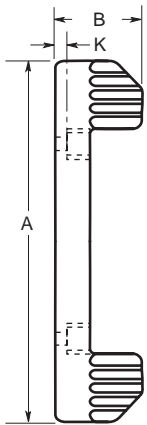


FIGURE 1.

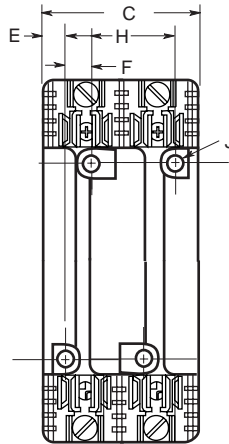


FIGURE 2.

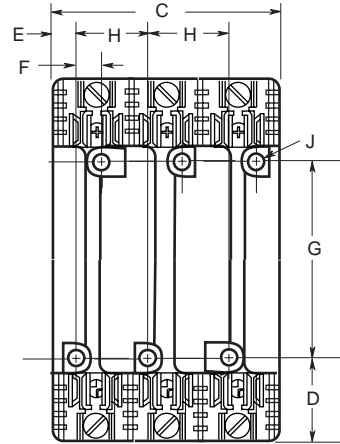


FIGURE 3.

### 600V, 31 to 60A

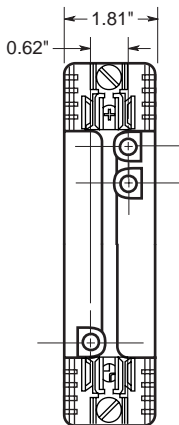
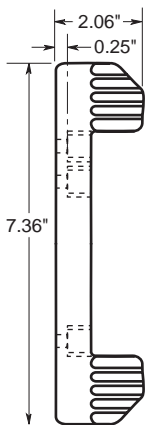


FIGURE 4.

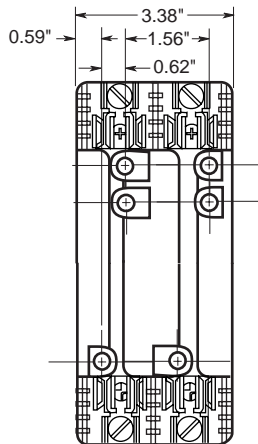


FIGURE 5.

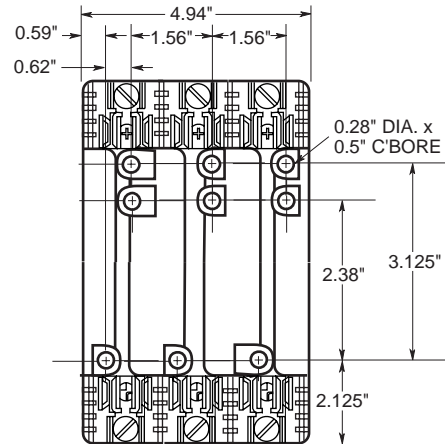


FIGURE 6.

### 600V, 61 to 100A

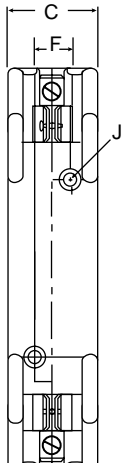
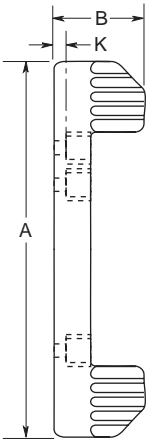


FIGURE 7.

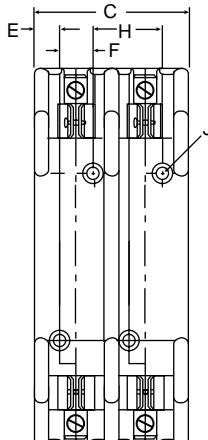


FIGURE 8.

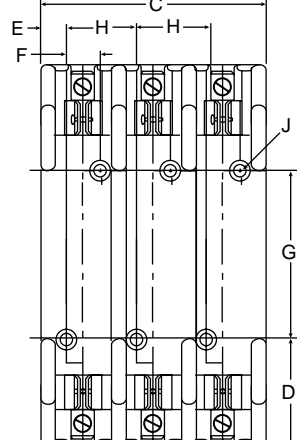


FIGURE 9.

# Class H Fuseblocks

## 600 Volts

# H600 Series

### 600V, 101 to 600A

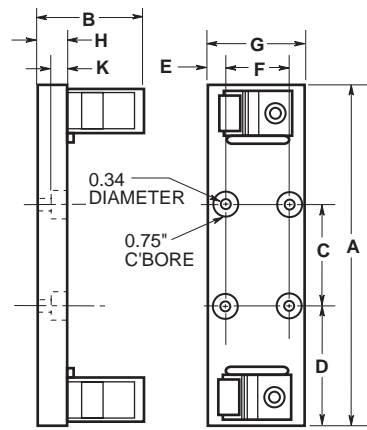


FIGURE 10.

### 600V, 101 to 200A

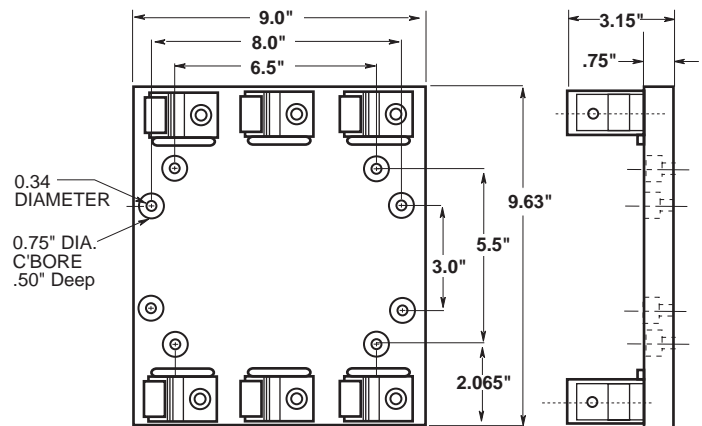


FIGURE 11.

### 600V, 201 to 400A

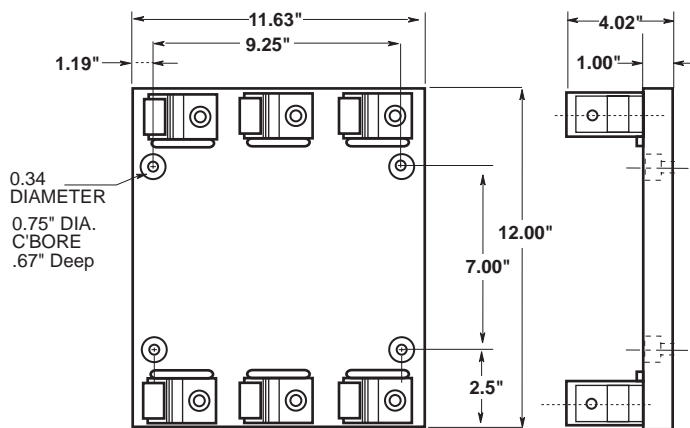


FIGURE 12.

### 600V, 401 to 600A

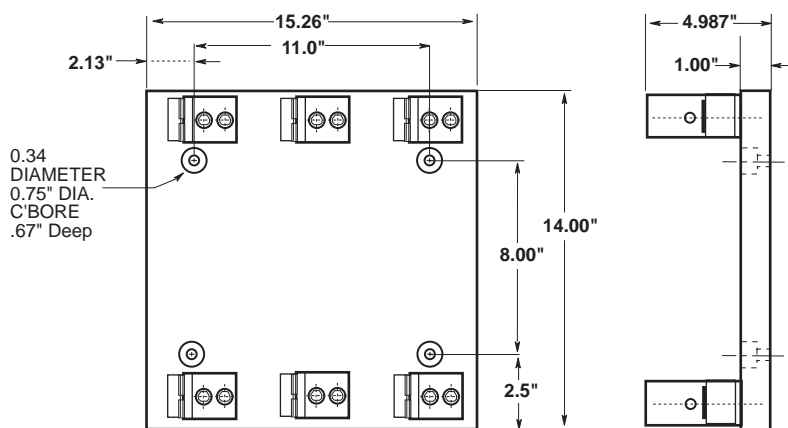


FIGURE 13.

The only controlled copy of this BIF document is the electronic read-only version located on the Bussmann Network Drive. All other copies of this document are by definition uncontrolled. This bulletin is intended to clearly present comprehensive product data and provide technical information that will help the end user with design applications. Bussmann reserves the right, without notice, to change design or construction of any products and to discontinue or limit distribution of any products. Bussmann also reserves the right to change or update, without notice, any technical information contained in this bulletin. Once a product has been selected, it should be tested by the user in all possible applications.