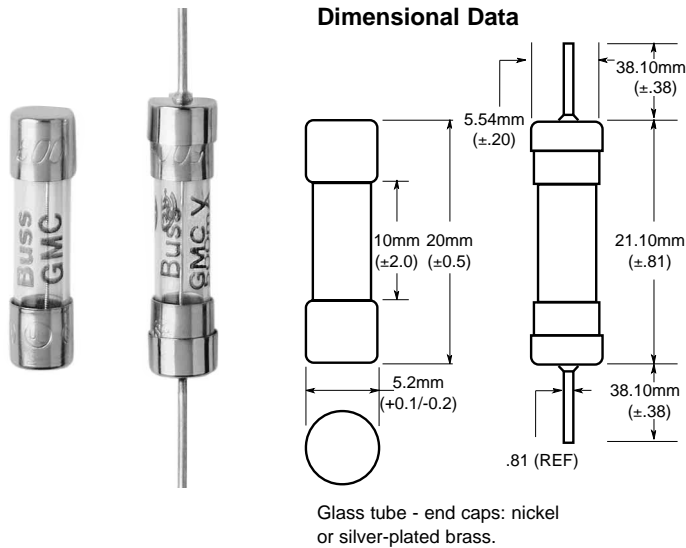


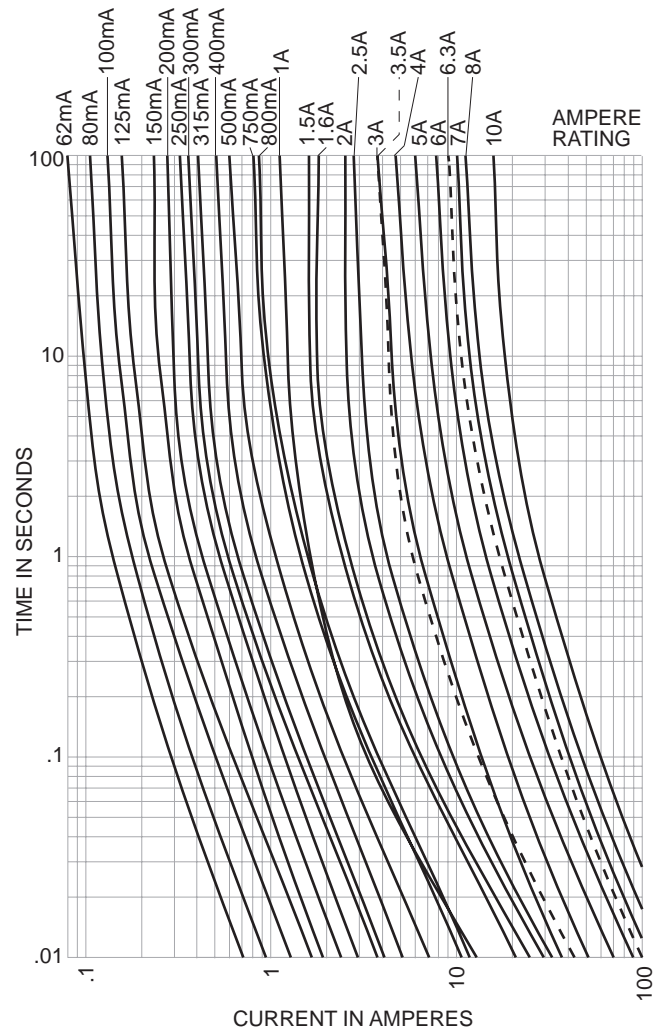
# 5mm x 20mm Ferrule Fuses

## Medium Time-Delay

GMC  
GMC-V



Time-Current Characteristic Curves—Average Melt



CATALOG SYMBOL: GMC  
MEDIUM TIME-DELAY  
63mA - 6.3A UL LISTED, STD. 248-14  
(GUIDE #JDYX, FILE #E75865)  
7A - 8A UL RECOGNIZED  
(GUIDE #JDYX2, FILE #E75865)

Limits for Pre-arcing Time

In	1.35 In	2.0 In	10 In
	MAX	MAX	MIN
50mA - 10A	60 min.	2 min.	10 ms.

1.1 In:  $\Delta t \leq 70^\circ\text{C}$ , 50mA - 6.3A.

Packaging & Ordering Information:

Product Symbol	Lead	Ampere Rating
GMC	Package Code Blank (None) V Axial Leads .032" x 1.5" Copper Tinned	

Markings: MFG mark, Rated Current, Rated Voltage, Product Symbol, Approvals where Applicable.

CE CE logo denotes compliance with European Union Low Voltage Directive (50-1000 VAC, 75-1500 VDC). Refer to BIF document #8002 or contact Bussmann Application Engineering at 314-527-1270 for more information.

# 5mm x 20mm Ferrule Fuses

## Medium Time-Delay

# GMC

## GMC-V

### Electrical Characteristics

Current Rating (In)	Rated Voltage (VAC)	Breaking Capacity	Voltage Drop (mV) max.	Pre-arcing Value (I <sup>2</sup> t) (A <sup>2</sup> s) typ.	U.L.	U.R.	CSA	JIS			
50mA	250	35A/250 VAC 10kA/125 VAC p.f. = 0.7 - 0.8	1600	0.00027	•		•				
63mA			1400	0.0027	•		•				
80mA			1300	0.0050	•		•				
100mA			1200	0.0094	•		•				
125mA			1000	0.014	•		•				
150mA			800	0.022	•		•				
160mA			750	0.022	•		•				
200mA			600	0.032	•		•				
250mA			520	0.046	•		•				
300mA			520	0.081	•		•				
315mA			470	0.081	•		•				
400mA			500	0.18	•		•				
500mA			390	0.41	•		•				
600mA			350	0.60	•		•				
630mA			360	0.66	•		•				
700mA			330	0.85	•		•				
750mA			320	0.85	•		•				
800mA			310	0.85	•		•	•			
1A			240	1.8	•		•	•	•		
1.25A			190	3.4	•		•	•	•		
1.5A	100A/250 VAC 10kA/125 VAC p.f. = 0.7 - 0.8	190	5.4	•		•	•	•			
1.6A		160	5.8	•		•	•	•			
2A		130	8.9	•		•	•	•			
2.5A		130	13	•		•	•	•			
3A		130	19	•		•	•	•			
3.15A	125	10kA/125 VAC p.f. = 0.7 - 0.8	130	23	•		•	•	•		
3.5A			130	25	•		•	•	•	•	
4A			130	36	•		•	•	•	•	
5A			130	58	•		•	•	•	•	
6A			130	88	•		•	•	•	•	
6.3A			130	110	•		•	•	•	•	
7A			130	150	•		•	•	•	•	
8A			200A/125 VAC p.f. = 1.0	130	200	•		•	•	•	•
10A				130	300	•		•	•	•	•

The only controlled copy of this BIF document is the electronic read-only version located on the Bussmann Network Drive. All other copies of this BIF document are by definition uncontrolled. This bulletin is intended to clearly present comprehensive product data and provide technical information that will help the end user with design applications. Bussmann reserves the right, without notice, to change design or construction of any products and to discontinue or limit distribution of any products. Bussmann also reserves the right to change or update, without notice, any technical information contained in this bulletin. Once a product has been selected, it should be tested by the user in all possible applications.