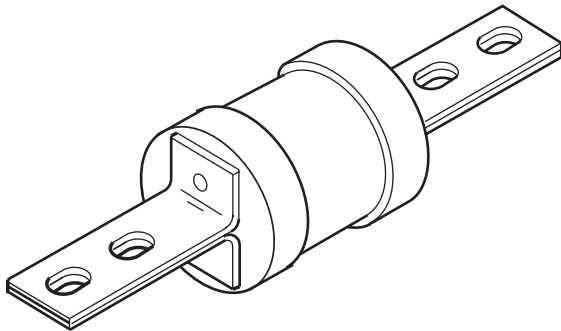


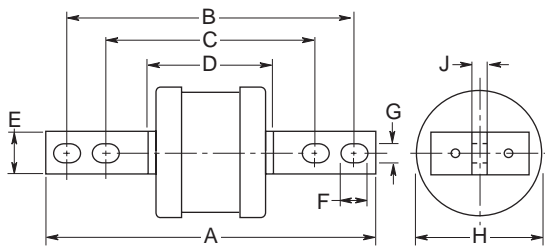
# Industrial HRC Fuse

84 x 268mm, BS88, IEC 269-1  
Center Bolted Tags



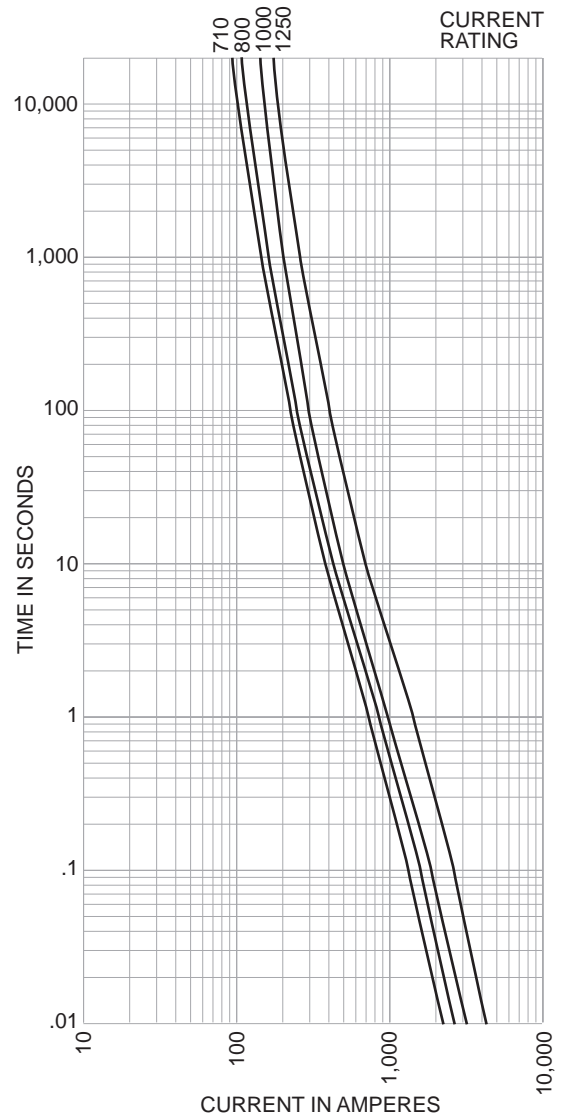
CATALOG SYMBOL: GG  
INDUSTRIAL HRC FUSE  
CENTER BOLTED TAGS  
PACKAGE QUANTITY: 1  
80KA INTERRUPTING RATING

**Dimensional Data:**



- British standard low voltage industrial fuses.
- General purpose, type gG.
- Used in general industrial motor circuits.

**Time-Current Characteristic Curve (Full Size Curves Available)**



**Electrical Characteristics**

Catalog Number	Ampere Rating	I <sup>2</sup> T (Amp <sup>2</sup> Seconds x 10 <sup>3</sup> )			Watts Loss	Nom Rated Voltage	Dimensions (Inches/mm)									
		Pre-Arcing	Total At 415V	Total At 550V			A	B	C	D	E	F	G	H	J	
GG710	710	3500	8100	11,000	53	550AC	262.0	231.0	167.0	77.5	38.0	15.5	10.5	83.0	6.4	
GG800	800	5050	11,500	15,500	64	250DC										
GG1000	1000	6800	16,000	21,000	69	550AC	262.0	228.5	165.0	84.0	38.0	15.5	10.5	100.0	12.7	
GG1250	1250	14,000	31,000	42,000	85											

The only controlled copy of this BIF document is the electronic read-only version located on the Bussmann Network Drive. All other copies of this BIF document are by definition uncontrolled. This bulletin is intended to clearly present comprehensive product data and provide technical information that will help the end user with design applications. Bussmann reserves the right, without notice, to change design or construction of any products and to discontinue or limit distribution of any products. Bussmann also reserves the right to change or update, without notice, any technical information contained in this bulletin. Once a product has been selected, it should be tested by the user in all possible applications.