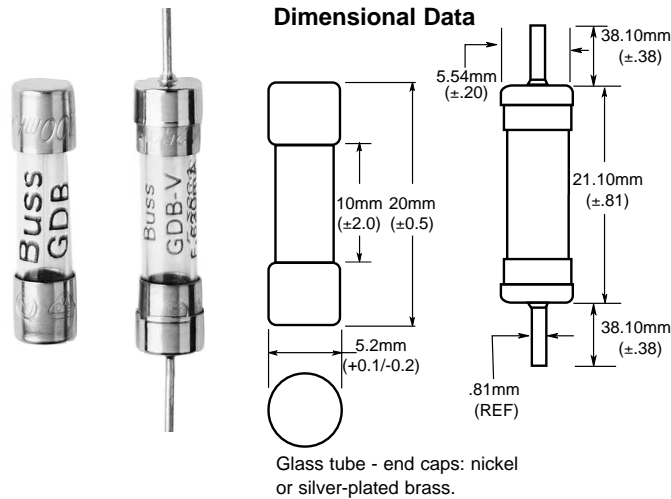


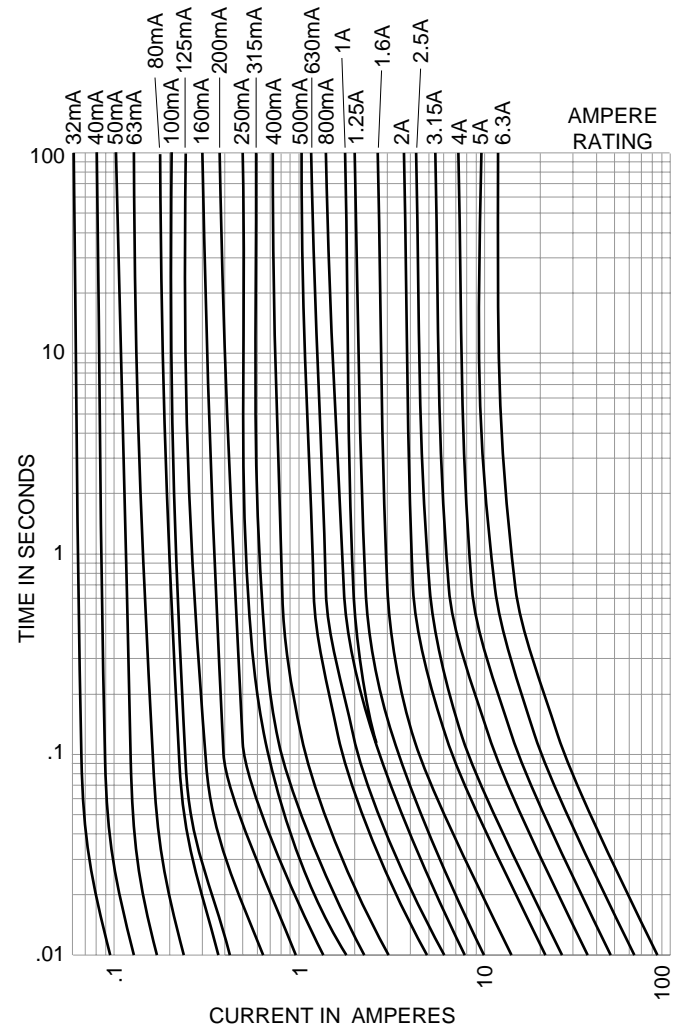
5 x 20mm Ferrule Fuses

Fast Acting, Low Breaking Capacity

GDB
GDB-V



Time-Current Characteristic Curves—Average Melt



CATALOG SYMBOL: GDB
FAST-ACTING, LOW BREAKING CAPACITY
250 VOLTS AC
UL RECOGNIZED:
(GUIDE #JDYX2, FILE #E75865)

Limits for Pre-arcing Time

In	1.5 In		2.1 In		2.75 In		4 In		10 In
	MIN	MAX	MIN	MAX	MIN	MAX	MIN	MAX	MAX
32mA - 100mA	60 min.	30 min.	10 ms.	500 ms.	3 ms.	100 ms.	20 ms.		
125mA - 6.3A	60 min.	30 min.	50 ms.	2 sec.	10 ms.	300 ms.	20 ms.		
8A - 10A	60 min.	30 min.	—	—	—	—	40 ms.		
12A - 16A	—	30 min.	—	—	—	—	80 ms.		

1.1 In: Δt ≤ 70°C, 125mA - 3A.
1.0 In: Δt ≤ 70°C, 4A.

Packaging & Ordering Information:

Product Symbol	—	Lead	—	Ampere Rating
GDB S500†		Package Code Blank (None) V Axial Leads GDB only .032" x 1.5" Copper Tinned		

Markings: MFG mark, Rated Current, Rated Voltage, Characteristic Symbol, Breaking Capacity Symbol, Approvals where Applicable.

† S500 is an European Designation. In North America use GDB respectively when referencing product.

CE CE logo denotes compliance with European Union Low Voltage Directive (50-1000 VAC, 75-1500 VDC). Refer to BIF document #8002 or contact Bussmann Application Engineering at 314-527-1270 for more information.

5 x 20mm Ferrule Fuses

Fast Acting, Low Breaking Capacity

GDB

GDB-V

Electrical Characteristics

Current Rating (In)	Rated Voltage (V)	Breaking Capacity	Voltage Drop (mV) max.	Power Dissipation (W) max.	Pre-arcing Value (I ² t) (A ² s) typ.	BSI	VDE	SEMKO	IMQ	UR	
32mA	250	35A at 250V, 50Hz cos ϕ \approx 1.0	10000	0.90	0.000047					•	
40mA			8000	0.85	0.00011					•	
50mA			3200	0.40	0.00020	•	•	•	•	•	
63mA			2500	0.40	0.00057	•	•	•	•	•	
80mA			2200	0.45	0.0012	•	•	•	•	•	
100mA			2100	0.55	0.003	•	•	•	•	•	
125mA			2000	0.65	0.005	•	•	•	•	•	
160mA			1950	0.80	0.008	•	•	•	•	•	
200mA			1600	0.85	0.016	•	•	•	•	•	
250mA			1400	0.95	0.028	•	•	•	•	•	
315mA			1150	1.0	0.058	•	•	•	•	•	
400mA			950	1.0	0.18	•	•	•	•	•	
500mA			220	0.30	0.18	•	•	•	•	•	
630mA			220	0.40	0.35	•	•	•	•	•	
800mA			180	0.45	0.67	•	•	•	•	•	
1A			200	0.67	0.60	•	•	•	•	•	
1.25A			200	0.92	0.84	•	•	•	•	•	
1.6A			190	1.1	1.6	•	•	•	•	•	
2A			160	1.1	4.2	•	•	•	•	•	
2.5A			145	1.2	6.1	•	•	•	•	•	
3.15A			130	1.3	13	•	•	•	•	•	
4A			120	1.6	22	•	•	•	•	•	
5A			115	1.7	42	•	•	•	•	•	
6.3A			110	2.3	69	•	•	•	•	•	
8A*			—	—	—	—	—	—	—	—	—
10A*			—	—	—	—	—	—	—	—	—
12A*			—	—	—	—	—	—	—	—	—
16A*	—	—	—	—	—	—	—	—	—		

* IEC Standard 127 Sheet II does not include ratings above 6.3 amps.

The only controlled copy of this BIF document is the electronic read-only version located on the Bussmann Network Drive. All other copies of this BIF document are by definition uncontrolled. This bulletin is intended to clearly present comprehensive product data and provide technical information that will help the end user with design applications. Bussmann reserves the right, without notice, to change design or construction of any products and to discontinue or limit distribution of any products. Bussmann also reserves the right to change or update, without notice, any technical information contained in this bulletin. Once a product has been selected, it should be tested by the user in all possible applications.