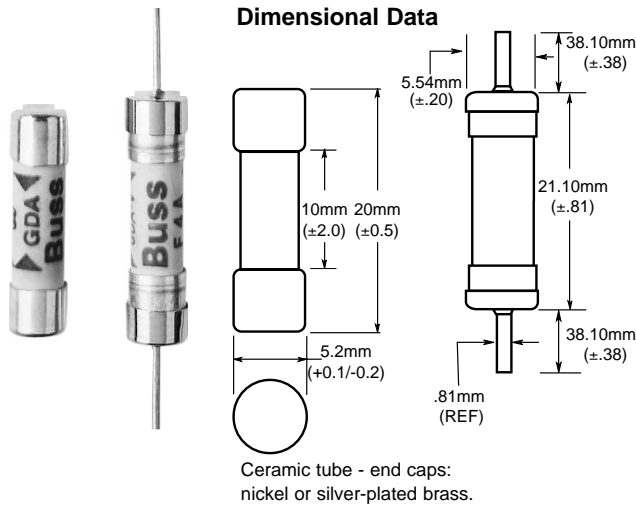


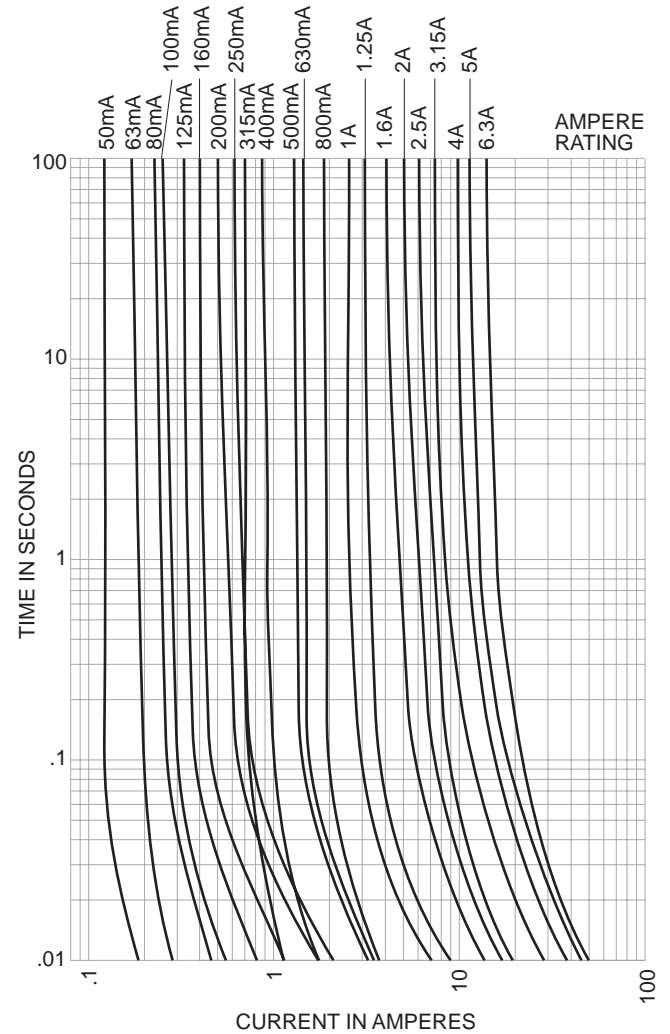
5 x 20mm Ferrule Fuses

Fast Acting, High Breaking Capacity

GDA
GDA-V



Time-Current Characteristic Curves—Average Melt



CATALOG SYMBOL: GDA
 FAST ACTING
 HIGH BREAKING CAPACITY
 250 VOLTS AC OR LESS
 UL RECOGNIZED:
 (GUIDE #JDYX2, FILE #E75865)

Limits for Pre-arcing Time

In	1.5 In		2.1 In		2.75 In		4 In		10 In
	MIN	MAX	MIN	MAX	MIN	MAX	MIN	MAX	MAX
50mA - 3.15A	60 min.	30 min.	10 ms.	2 sec.	3 ms.	300 ms.	20 ms.		
4A - 10A	60 min.	30 min.	10 ms.	3 sec.	3 ms.	300 ms.	20 ms.		

1.1 In: Δt ≤ 70°C, 125mA - 3A.

1.0 In: Δt ≤ 70°C, 4A.

Packaging & Ordering Information:

Product Symbol		Lead		Ampere Rating
GDA S501†		Package Code Blank (None) V Axial Leads GDA only .032" x 1.5" Copper Tinned		

Markings: MFG mark, Rated Current, Rated Voltage, Characteristic Symbol, Breaking Capacity Symbol, Approvals where Applicable.

† S501 is a European designation. In North America use GDA respectively when referencing product, except 8 and 10A.

CE CE logo denotes compliance with European Union Low Voltage Directive (50-1000 VAC, 75-1500 VDC). Refer to BIF document #8002 or contact Bussmann Application Engineering at 314-527-1270 for more information.

5 x 20mm Ferrule Fuses

Fast Acting, High Breaking Capacity

GDA

GDA-V

Electrical Characteristics

Current Rating (In)	Rated Voltage (V)	Breaking Capacity	Voltage Drop (mV) max.	Power Dissipation (W) max.	Pre-arcing Value (I ² t) (A ² s) typ.	BSI	VDE	SEMKO	IMQ	UR	
50mA	250	1500A 250V, 50Hz cos ϕ \approx 0.7 - 0.8	9000	1.1	0.0017			•		•	
63mA			3300	0.36	0.0005						
80mA			2600	0.44	0.0011						
100mA			2300	0.52	0.0018						
125mA			1900	0.6	0.0037						
160mA			1600	0.64	0.008						
200mA			1350	0.75	0.020				•		
250mA			1300	0.82	0.027						
315mA			1400	1.1	0.010						
400mA			1200	1.2	0.018				•		•
500mA			1050	1.3	0.038				•		•
630mA			1200	1.5	0.064				•		•
800mA			490	1.3	0.097				•		•
1A			230	0.83	0.480				•		•
1.25A			200	0.83	0.9				•		•
1.6A			180	0.83	1.9				•		•
2A			205	1.5	2.0				•	•	•
2.5A			190	1.6	3.9				•	•	•
3.15A			160	1.7	8.1				•	•	•
4A			160	1.9	14				•	•	•
5A	155	2.5	25				•	•	•		
6.3A	150	3.0	48				•	•	•		
8A* **	140		100								
10A* **	140		160								

*IEC Standard 127, Sheet I does not include ratings above 6.3A.

**Product is available only as S501 series.

The only controlled copy of this BIF document is the electronic read-only version located on the Bussmann Network Drive. All other copies of this BIF document are by definition uncontrolled. This bulletin is intended to clearly present comprehensive product data and provide technical information that will help the end user with design applications. Bussmann reserves the right, without notice, to change design or construction of any products and to discontinue or limit distribution of any products. Bussmann also reserves the right to change or update, without notice, any technical information contained in this bulletin. Once a product has been selected, it should be tested by the user in all possible applications.