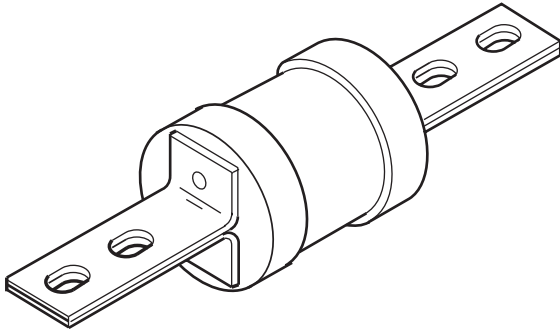


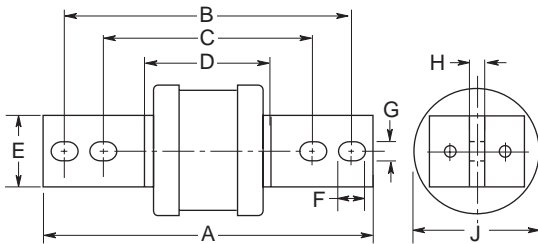
Industrial HRC Fuse

31 x 160mm, BS88, IEC 269-1
Center Bolted Tags

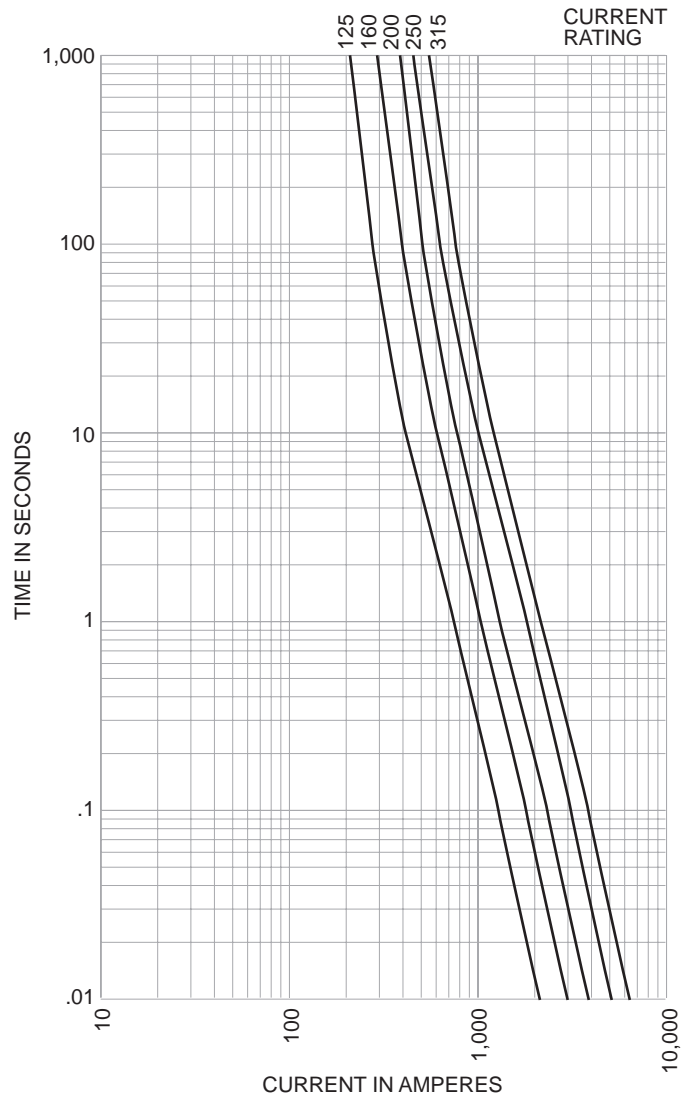


CATALOG SYMBOL: EFS
INDUSTRIAL HRC FUSE
CENTER BOLTED TAGS
PACKAGE QUANTITY: 1
80KA INTERRUPTING RATING

Dimensional Data:



Time-Current Characteristic Curve (Full Size Curves Available)



Electrical Characteristics

Catalog Number	Ampere Rating	I ² T (Amp ² Seconds)		Watts Loss	Nom Rated Voltage	Dimensions (Inches/mm)								
		Pre-Arcing	Total At 415V			A	B	C	D	E	F	G	H	J
EFS125	125	29,500	71,000	11	415AC	158.0	133.0	47.0	10.5	12.5	19.0	0.13 3.23	22.5	1.22
EFS160	160	57,000	135,000	13										
EFS200	200	120,000	290,000	14										
EFS250	250	200,000	480,000	18										
EFS315	315	265,000	635,000	22										

The only controlled copy of this BIF document is the electronic read-only version located on the Bussmann Network Drive. All other copies of this BIF document are by definition uncontrolled. This bulletin is intended to clearly present comprehensive product data and provide technical information that will help the end user with design applications. Bussmann reserves the right, without notice, to change design or construction of any products and to discontinue or limit distribution of any products. Bussmann also reserves the right to change or update, without notice, any technical information contained in this bulletin. Once a product has been selected, it should be tested by the user in all possible applications.