

Camaster HRC Fuse Holders

CM_CFB

30, 60, and 100 Amps; 600V A.C.



CATALOG SYMBOL: CM_CFB
CAMASTER HRC FUSE HOLDERS
30, 60, AND 100 AMPERES

AGENCY APPROVALS: CSA C22.2 NO. 39
IEC 269 AND BS88

- Range: 30 (miniature), 30, 60, and 100 Amps at 600V a.c.
- A range of fully shrouded HRC Fuse Holders having an advanced design.
- They incorporate a high level of innovation, with enhanced performance characteristics and comply with the requirements of: CSA C22.2 No. 39 as well as IEC 269 and BS88 standards.
- **Unique Cam Action.**
- The Fuse Carriers are fitted with a cam for ease of removal from the Fuse Bases allowing significantly improved contact pressure between Fuse Carrier and Fuse Base contacts, with a corresponding enhanced electrical performance level.
- This design overcomes a major problem of all existing dead front style Fuse Holders manufactured worldwide, which have to compromise between difficulties of Fuse Carrier removal from Base and contact pressure achieved.
- **Lockable Safety Carriers**
- A range of Lockable Safety Carriers for the CAMASTER Fuse Holder (Cat ref: LSC), are available.
- This distinct feature ensures isolation can be achieved allowing maintenance to be carried out in safety.

Mounting Torque and Cable Size

Ref	Fuse Mounting Tightening Torques	Max Cable Size
CM20CFB	1.5Nm 1.11 lb. - ft.	#2
CM30CFB	1.5Nm 1.11 lb. - ft.	#2
CM60CFB	2.0Nm 1.48 lb. - ft.	2/0
CM100CFB	2.0Nm 1.48 lb. - ft.	2/0

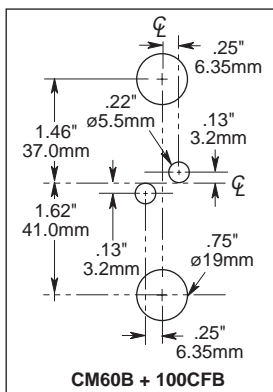
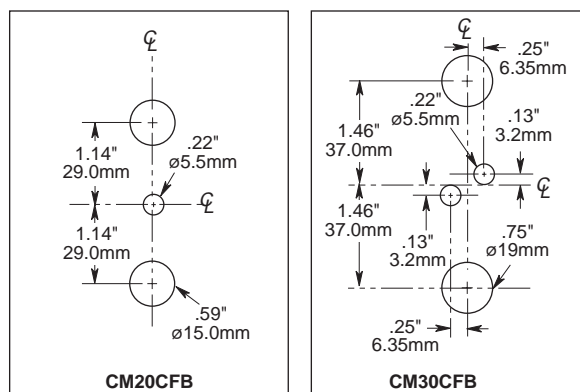
CAMASTER Ratings

Rating	Details	Reference	Fuse Accommodated
30 Amp	For HRCI-CA Applications	CM20CFB	---C1F21B
30 Amp 60 Amp 100 Amp	For HRCII Applications	CM30CFB CM60CFB CM100CFB	---H07CB ---K07CB ---K07CRB

Accessories for CAMASTER Units

Rating	Details	Reference	Fuse Accommodated
30 Amp		20BS	For CM20CFB
30 Amp 60/100 Amp	Back Stud	30BS 60/100BS	For CM30CFB For CM60/100CFB
All	Ganging Link Kit	GLP	For 3 Pole
All	660V Neon Indicator	NI-660	-
All	600V Neon Indicator	NI-600	-
30 Amp 30 Amp 60/100 Amp	Security Carrier with Clip.	20LSC 30LSC 60/100LSC	For CM20CFB For CM30CFB For CM60/100CFB
All	Clip Only	20CML	For all sizes

Panel Drilling Plans, Viewed from Front of Panel



Camaster HRC Fuse Holders

30, 60, and 100 Amps; 600V A.C.

CM_CFB

- **Unique Conversion Capability.**
- Fuse Holders can be readily converted from Front Connection to Front/Back Stud and Double Back Stud Connection types at the point of use.
- This is achieved with a unique Back Stud Accessory and the use of a screwdriver.
- See conversion sequence in Fig. 1. Steps 1, 2 and 3 show removal of end ferrule and insertion of Back Stud Accessory to give the Front/Back Stud Connection type.
- This sequence repeated at the opposite end gives the Double Back Stud Connection type shown in Step 4.
- **Unique Cable Termination.**
- The fuse holder's unique cable terminations are designed for user convenience and to ensure long-term reliability.
- They incorporate Stainless Steel Saddles and Hardened Termination Screws, maintaining permanent cable clamping to profiled contact plates.
- The main electrical contact path between the cable and Fuse tag.
- This permits the use of high tightening torques without damage to cables or threads and provides resistance to high cable pull out forces. (See Fig. 2.)
- The Fuse Holders are supplied with the Hardened Termination Screws backed out ready for cable insertion, saving installation time.
- **Hinged Captive Screws.**
- The Fuse Mounting Screws to Fuse Carrier are held in captive hinges providing ease of mounting and preventing loss during installation. (See Fig. 3.)
- **Two/Three Pole Ganging.**
- The unique design of the Carriers allows ganging to be readily achieved by the use of standard accessories.
- This provides improved safety related to isolation and protection of 2 Pole and 3 Pole electrical circuits by ensuring that the correctly related poles are removed at the same time. (See Fig. 4.)
- **Dual Mounting Capability.**
- The design as standard provides both Bolted Panel and DIN Rail mounting features.
- The DIN Rail mounting facility for each of the various dimensioned ratings is so designed as to give equal height and depth above the DIN Rail.
- **Hinged Internal Shields.**
- Non-removable full shrouding of live parts within the Fuse Base is provided by the use of hinged shields.
- The positive captive nature of these ensures that they cannot be omitted during installation and are so designed that insertion of the Fuse Carrier can only be made with them correctly positioned.
- **Neon Indicator.**
- Neon Clip-in Indicator Accessories are available providing clear location and status of fuses which have operated due to fault conditions. (See Fig. 5.)

- **Circuit Identification.**
- The Fuse Carrier has a marking label for ease of circuit identification.
- **Strip Length Marking.**
- The length of cable insulation that should be stripped off is shown on the side of the Fuse Base.

Dimensional Data

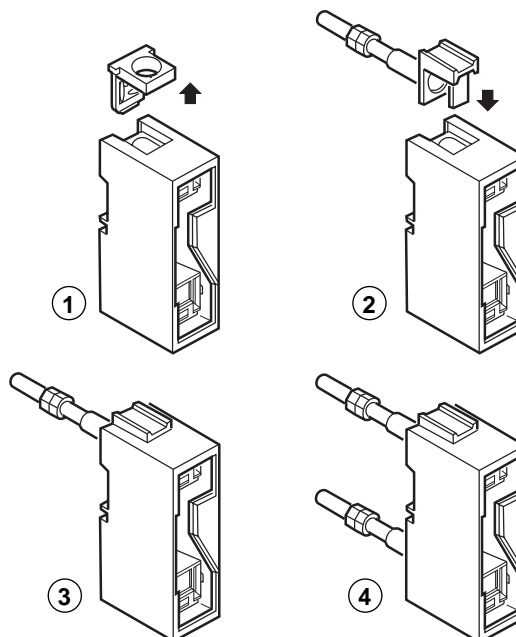


Figure 1. Unique Conversion Capability

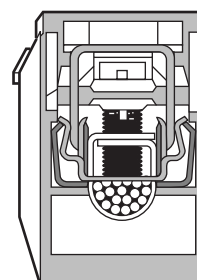


Figure 2. Unique Cable Termination

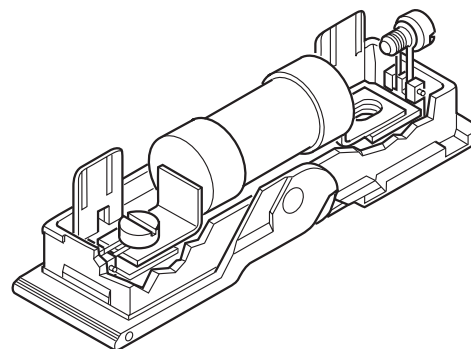


Figure 3. Hinged Captive Screws

Camaster HRC Fuse Holders

CM_CFB

30, 60, and 100 Amps; 600V A.C.

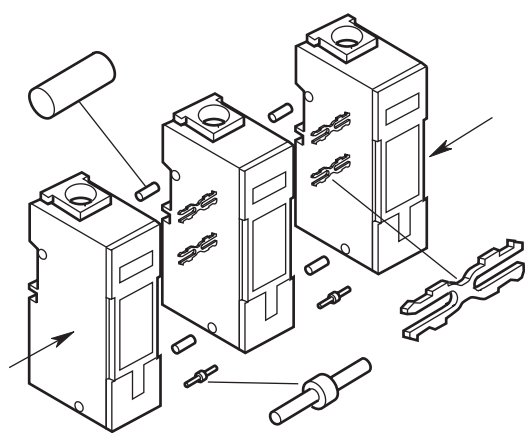


Figure 4. Two/Three Pole Ganging.

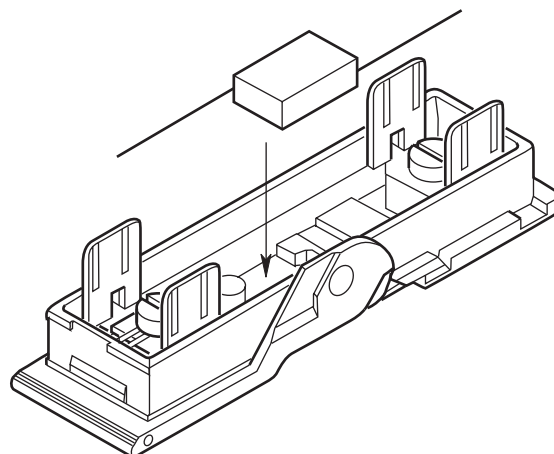
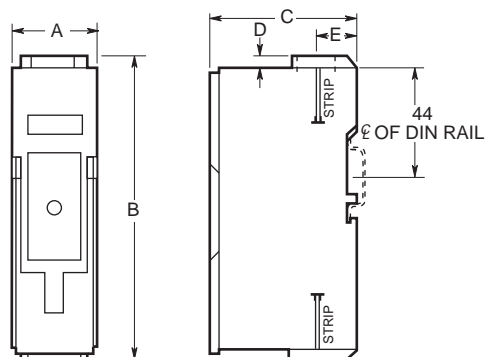
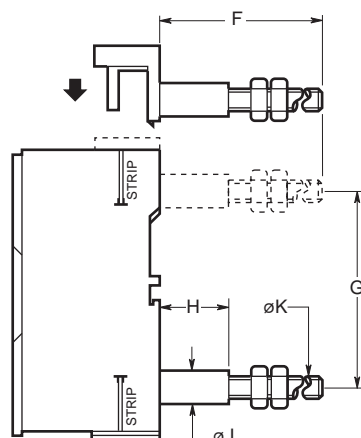


Figure 5. Neon Indicators.

Standard Front Connected Unit



Front/Back Stud and Double Back Stud Connected Units



Rating Amps	Catalog Number	Category	Dimensions in Inches and (mm)									
			A	B	C	D	E	F	G	H	J	K
30	CM20CFB	HRCI-CA	1.0 (25.4)	3.69 (93.7)	2.36 (60)	.13 (3.2)	.64 (17.5)	2.60 (66)	2.29 (58)	1.13 (28.6)	.47 (11.9)	M6
30	CM30CFB	HRCII-C	1.25 (31.8)	4.63 (117.5)	2.36 (60)	.13 (3.2)	.69 (17.5)	2.60 (66)	2.92 (74)	1.13 (28.6)	.47 (11.9)	M6
60	CM60CFB	HRCII-C	1.40 (35.6)	4.93 (125)	2.36 (60)	.19 (4.75)	.65 (16.4)	3.41 (86.5)	3.14 (79.8)	1.13 (28.6)	.47 (11.9)	M8
100	CM100CFB	HRCII-MISC	1.40 (35.6)	4.93 (125)	2.36 (60)	.19 (4.75)	.65 (16.4)	3.41 (86.5)	3.14 (79.8)	1.13 (28.6)	.47 (11.9)	M8

The only controlled copy of this BIF document is the electronic read-only version located on the Bussmann Network Drive. All other copies of this BIF document are by definition uncontrolled. This bulletin is intended to clearly present comprehensive product data and provide technical information that will help the end user with design applications. Bussmann reserves the right, without notice, to change design or construction of any products and to discontinue or limit distribution of any products. Bussmann also reserves the right to change or update, without notice, any technical information contained in this bulletin. Once a product has been selected, it should be tested by the user in all possible applications.

SAFELOC HRC

Fuse Holders

SAFELOC



CATALOG SYMBOL: C30FB, C30BSB, C30FBSB, C60FB,
C60BSB, AND C60FBSB
FUSE HOLDER
30 AND 60 AMPS
FOR USE WITH HRCI-CB FUSES
SUITABLE FOR BOLTED PANEL MOUNTING OR DIN RAIL
MOUNTING

SAFELOC Ratings

For use with HRCI-CB Fuses

Rating	Connection	Catalog Number	Fuse Accommodated
30 Amp	Front	C30FB	CIF06B
	Back	C30BSB	
	Front-Back	C30FBSB	
60 Amp	Front	C60FB	EK-B
	Back	C60BSB	
	Front-Back	C60FBSB	

Features

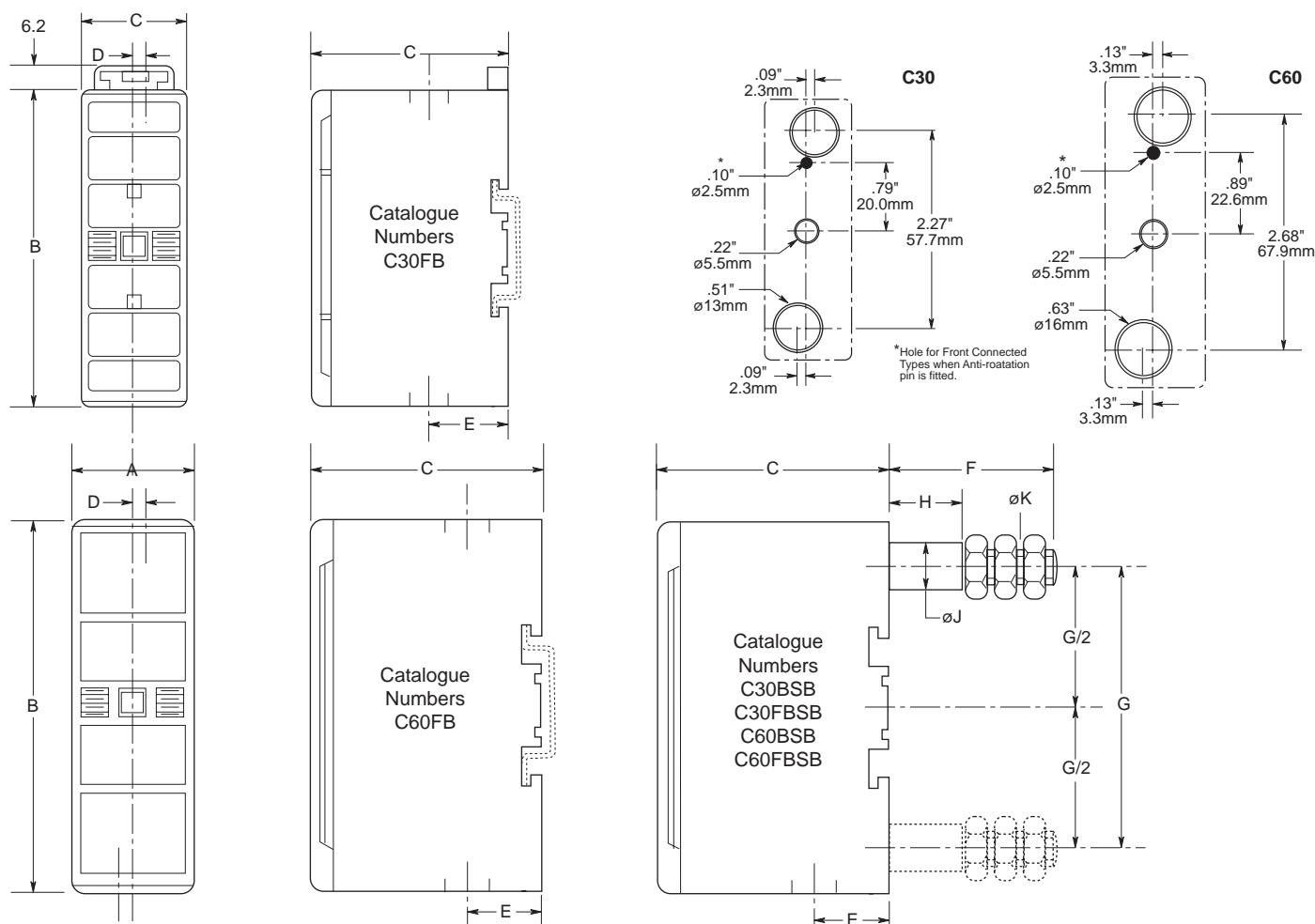
- SAFELOC Fuse Holders provide an easy method of protecting a wide range of electrical equipment such as lighting, heating, motor and control equipment circuits.
- Designed to accommodate the compact range of offset blade fuse to CSA C22.2 No. 106, HRCI-CB.
- Incorporated a unique slide/snap action. Carrier which eliminates the need for fuse carrier contacts.
- Carrier provides a positive, stress free fitting of fuse and locks the fuse in position ensuring safe insertion and withdrawal from the base. The resulting direct contact between fuse blades and the plated base contacts provides lower watts loss and increased reliability.
- Base Contacts are fully shrouded to help protect against electric shock.
- Shrouds utilize simple slide/snap action allowing access to the contact terminal screws.
- 35mm DIN-rail mounting.
- Single screw mounting.

SAFELOC HRC

SAFELOC

Fuse Holders

Dimensional Data



Dimensions in Inches and (mm)

Rating Amps	Catalog Number	Max. Cable mm ²	A	B	C	D	E	F	G	H	J	K
30	C30	16	1.0 (25.4)	3.0 (76.2)	1.83 (46.5)	.09 (2.3)	.63 (16.0)	1.54 (39.2)	2.27 (57.7)	.67 (17.0)	.38 (9.7)	M6
60	C60	35	1.15 (29.1)	3.55 (90.0)	2.18 (55.0)	.13 (3.3)	.70 (17.7)	1.54 (39.2)	2.68 (67.9)	.69 (17.5)	.43 (11.0)	M8

The only controlled copy of this BIF document is the electronic read-only version located on the Bussmann Network Drive. All other copies of this BIF document are by definition uncontrolled. This bulletin is intended to clearly present comprehensive product data and provide technical information that will help the end user with design applications. Bussmann reserves the right, without notice, to change design or construction of any products and to discontinue or limit distribution of any products. Bussmann also reserves the right to change or update, without notice, any technical information contained in this bulletin. Once a product has been selected, it should be tested by the user in all possible applications.