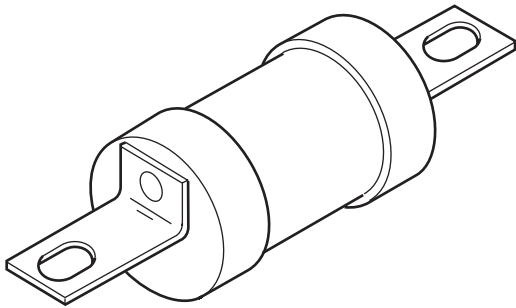


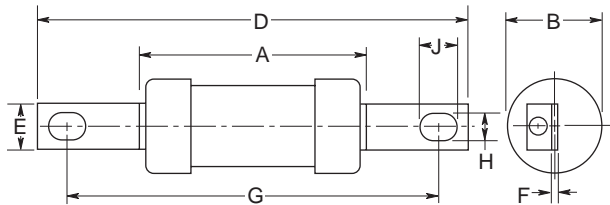
Industrial HRC Fuse Link

21.4 x 128mm, BS88, IEC 269-1
Center Bolted Tags

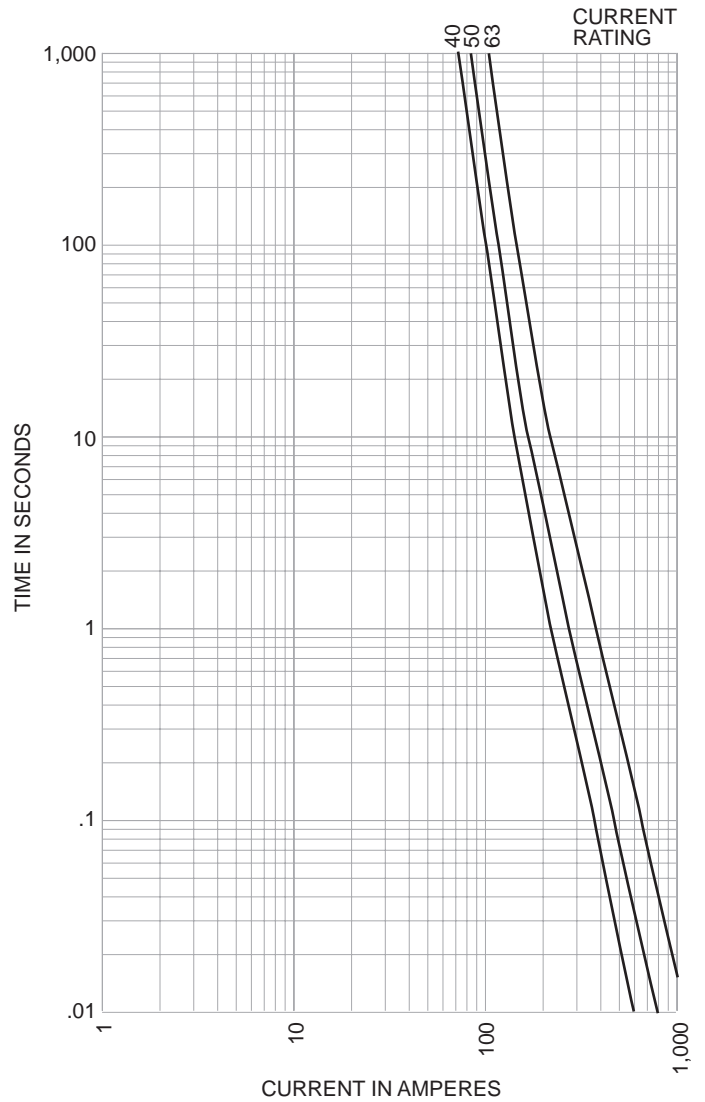


CATALOG SYMBOL: BD
INDUSTRIAL HRC FUSE LINK
CENTER BOLTED TAGS
PACKAGE QUANTITY: 20
80kA INTERRUPTING RATING
MOUNTS IN 200DF FUSEHOLDER

Dimensional Data:



Time-Current Characteristic Curve (Full Size Curves Available)



Electrical Characteristics

Catalog Number	Ampere Rating	I ² T (Amp ² Seconds)			Nom Watts Loss	Rated Voltage	Dimensions (Inches/mm)							
		Pre-Arcing	Total At 415V	Total At 550V			A	B	D	E	F	G	H	J
BD40	40	1400	3600	5000	4.7	550AC 250DC	55.5	21.0	5.06 128.5	14.2	1.4	111.5	0.34 8.7	11.8
BD50	50	3000	8050	11,250	4.9									
BD63	63	6700	18,850	25,100	5.6									

The only controlled copy of this BIF document is the electronic read-only version located on the Bussmann Network Drive. All other copies of this BIF document are by definition uncontrolled. This bulletin is intended to clearly present comprehensive product data and provide technical information that will help the end user with design applications. Bussmann reserves the right, without notice, to change design or construction of any products and to discontinue or limit distribution of any products. Bussmann also reserves the right to change or update, without notice, any technical information contained in this bulletin. Once a product has been selected, it should be tested by the user in all possible applications.