

Class CC Fuseblocks

600 Volt AC, 1/10 to 30 Amps

BC Series



Catalog Symbol: BC Series
Class CC Fuseblocks
Ampere Rating: 1/10 to 30 Amperes
Voltage Rating: 600 Volts AC
Withstand Rating: 200,000 Amps, RMS Sym.
Agency Approvals:
 U.L. Listed, U.L. 512, Guide IZLT, File E14853
 CSA Certified, C22.2 No. 39, Class 6225-01, File 47235
 For use with Class CC Fuses (Bussmann LP-CC, KTK-R, and FRQ-R)
U.L. Flammability: 94 VO
Temperature Rating (RTI): 130°C
Materials: Base - Thermoplastic
 Clips - Bright tin-plated bronze

Catalog Data (600 Vac)

		Terminal Type				
		Screw with Quick Connect*		Pressure Plate	Pressure Plate w/ Quick Connect*	Box Lug
Amps	Poles	Screw	Quick Connect*	Pressure Plate	Pressure Plate w/ Quick Connect*	Box Lug
1/10 to 30	1	BC6031S	BC6031SQ	BC6031P	BC6031PQ	BC6031B
	2	BC6032S	BC6032SQ	BC6032P	BC6032PQ	BC6032B
30	3	BC6033S	BC6033SQ	BC6033P	BC6033PQ	BC6033B

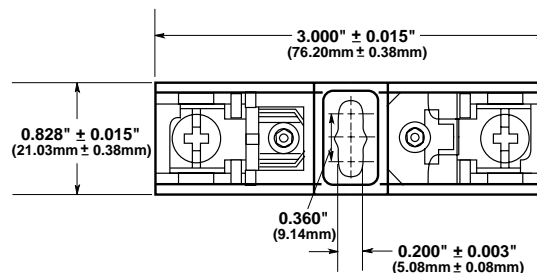


* QUICK CONNECT ONLY RATED FOR 20A.

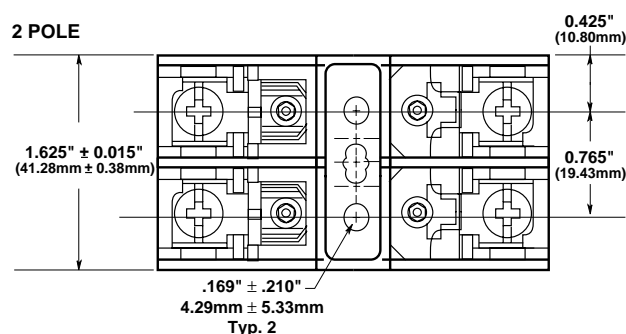
CE logo denotes compliance with European Union Low Voltage Directive (50-1000 Vac, 75-1500 Vdc). Refer to BIF document #8002 or contact Bussmann Application Engineering at 636-527-1270 for more information.

Dimensional Data

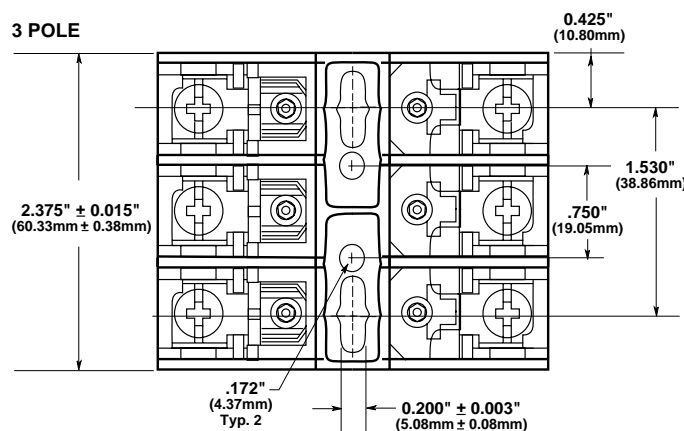
1 POLE



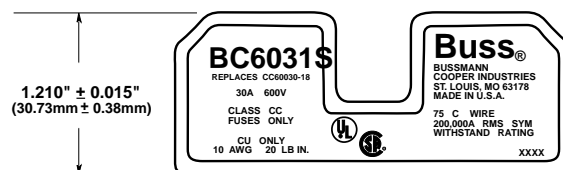
2 POLE



3 POLE



FUSEBLOCK LABEL (EXAMPLE SHOWN)



The only controlled copy of this BIF document is the electronic read-only version located on the Bussmann Network Drive. All other copies of this document are by definition uncontrolled. This bulletin is intended to clearly present comprehensive product data and provide technical information that will help the end user with design applications. Bussmann reserves the right, without notice, to change design or construction of any products and to discontinue or limit distribution of any products. Bussmann also reserves the right to change or update, without notice, any technical information contained in this bulletin. Once a product has been selected, it should be tested by the user in all possible applications.