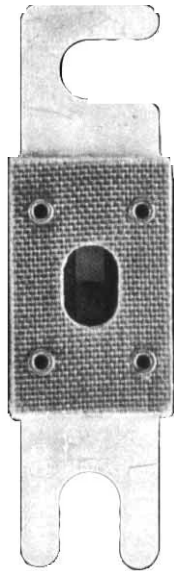
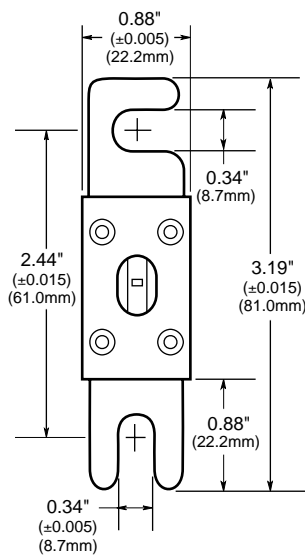


Limiter

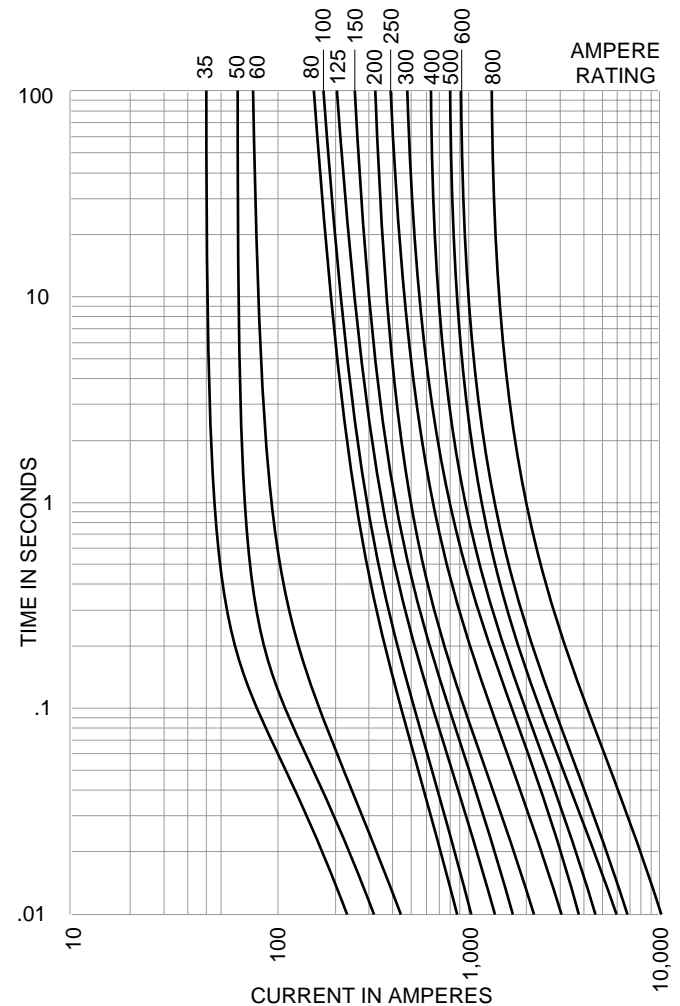
Very Fast-Acting



Dimensional Data



Time-Current Characteristic Curves—Average Melt



Catalog Symbol: ANN

Very Fast-Acting

Ampere Rating: 10 to 800 Amperes

Voltage Rating: 125 Volts AC (or less)

80 Volts DC (or less)

Interrupting Rating: 2,500 Amperes AC,

2,700 Amperes DC

Agency Approvals: U.L. Recognized, 35-400 Amps

Guide JFHR2, File E56412

Electrical Ratings (Catalog Symbol and Amperes)

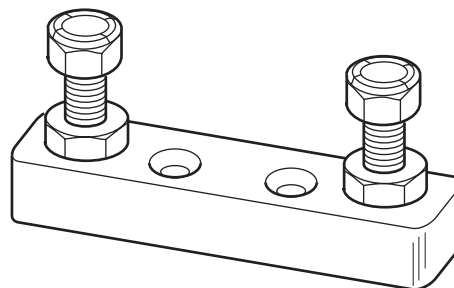
125 Volts AC, IR 2500A @ 125V

| | | | |
|--------|---------|---------|---------|
| ANN-10 | ANN-90 | ANN-225 | ANN-400 |
| ANN-35 | ANN-100 | ANN-250 | ANN-500 |
| ANN-40 | ANN-125 | ANN-275 | ANN-600 |
| ANN-50 | ANN-150 | ANN-300 | ANN-700 |
| ANN-60 | ANN-175 | ANN-325 | ANN-800 |
| ANN-80 | ANN-200 | ANN-350 | — |

General Information:

- Very fast-acting (high speed of responses to short-circuit currents).
- An open link element is visible through a mica window.
- Stud mounts in Buss fuseblock 4164.

Fuse Block No. 4164



The only controlled copy of this BIF document is the electronic read-only version located on the Bussmann Network Drive. All other copies of this document are by definition uncontrolled. This bulletin is intended to clearly present comprehensive product data and provide technical information that will help the end user with design applications. Bussmann reserves the right, without notice, to change design or construction of any products and to discontinue or limit distribution of any products. Bussmann also reserves the right to change or update, without notice, any technical information contained in this bulletin. Once a product has been selected, it should be tested by the user in all possible applications.