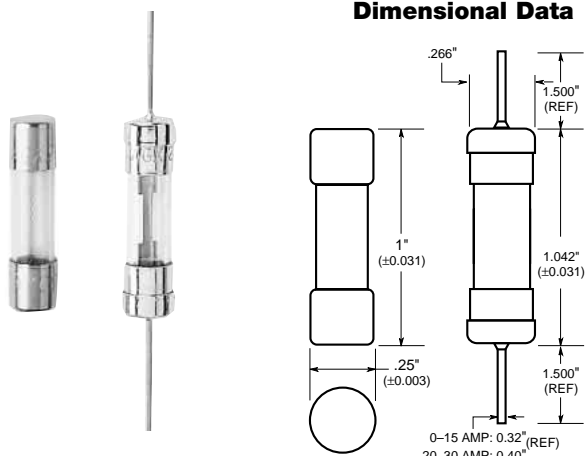


Fast-Acting Glass Fuses

For 1/4" x 1" (6.3mm x 25.4mm)

AGX AGX-V



Catalog Symbol: AGX

1/4" x 1" (6.3mm x 25.4mm) 8AG

Fast-Acting

Agency Approvals:

Std. 248-14

0-5A U.L. Listed, Guide JDYX, File E19180

5.1-20A U.L. Recognized, Guide JDYX2, File E19180

CSA Certified, C22.2 No. 248.14, Class 1422-01, File 53787

Body Material: Glass

Ferrule Material: Brass

Ferrule Plating: Nickel

Packaging & Ordering Information:

Package Code Blank 5 in BK/ 100 in	AGX Product Symbol	V Lead Blank -no lead V-Axial lead	(See Table) Rated Current
---	---------------------------------	--	-------------------------------------

Electrical Ratings (Catalog Symbol and Amperes)

250 Volts AC	250 Volts AC	250 Volts AC	32 Volts AC
AGX-1/500	AGX-1/4	AGX-2 U.L. Listed & CSA	AGX-8
AGX-1/200	AGX-3/10	125 Volts AC	AGX-10
AGX-1/100	AGX-3/8	AGX-2 1/2	AGX-15
AGX-1/32 U.L. Listed	AGX-4/10 U.L. Listed	AGX-3	AGX-20
AGX-1/16 & CSA	AGX-1/2 & CSA	AGX-4 U.L. Listed	AGX-25 U.L. Recog.
AGX-1/10	AGX-3/4	AGX-5	AGX-30
AGX-1/6	AGX-1	AGX-6	—
AGX-2/10	AGX-1 1/4	AGX-7	—
AGX-3/16	AGX-1 1/2	—	—

Carton Quantity and Weight

Ampere Ratings	Carton Qty.	Weight*	
		Lbs.	Kg.
1/500-30	100	0.76	345

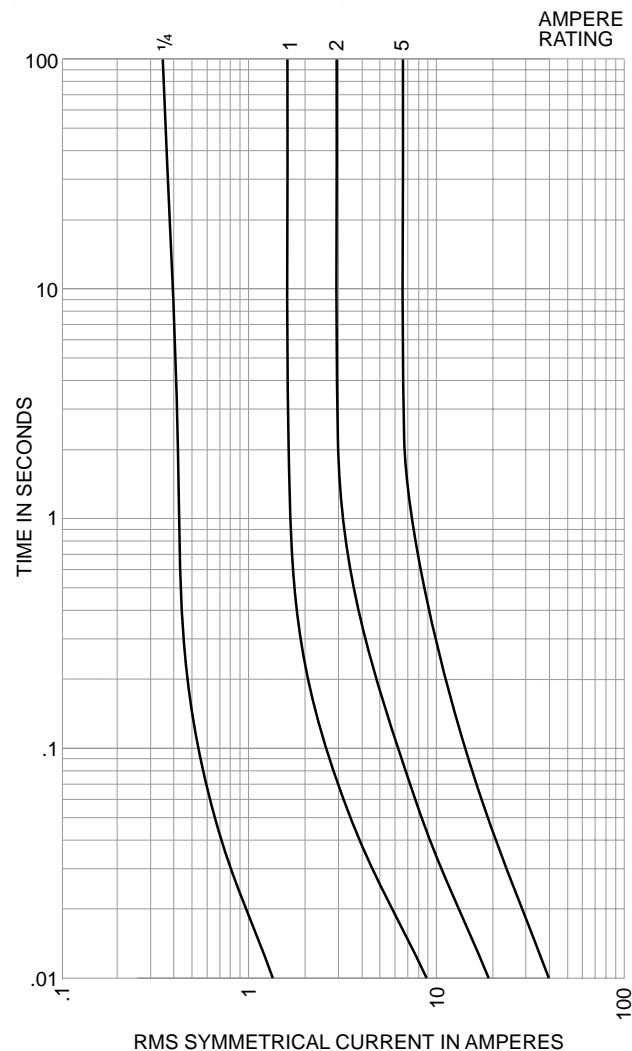
*Weight per carton.

CE logo denotes compliance with European Union Low Voltage Directive (50-1000 Vac, 75-1500 Vdc). Refer to BIF document #8002 or contact Bussmann Application Engineering at 314-527-1270 for more information.

General Information:

- Glass. Formerly designated **8AG**.
- Types MJB and MJW now called AGX.
- For instruments, electronic, and small appliance circuits.
- Mounts in Buss panel mounted fuseholders types HJM, HMS, and HJL; In-line holders types HHB, HFB, and HRK; and Buss fuseblocks 4520 and 3808 series and 1/4" clips.

Time-Current Characteristic Curves—Average Melt (Full Size Curves Available)



Test Specifications

Fuse	Load Opening Time
AGX (1/500 to 30A)	110% 4 Hours (min.) 135% 1 Hour (max.)
AGX (1/500 to 2A)	200% 5 Seconds (max.)

The only controlled copy of this BIF document is the electronic read-only version located on the Bussmann Network Drive. All other copies of this document are by definition uncontrolled. This bulletin is intended to clearly present comprehensive product data and provide technical information that will help the end user with design applications. Bussmann reserves the right, without notice, to change design or construction of any products and to discontinue or limit distribution of any products. Bussmann also reserves the right to change or update, without notice, any technical information contained in this bulletin. Once a product has been selected, it should be tested by the user in all possible applications.