

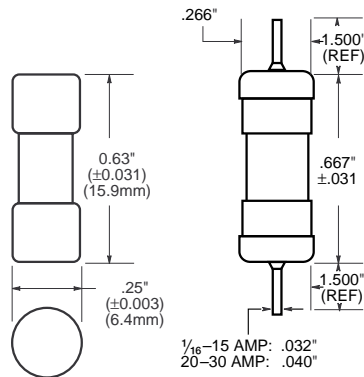
Fast-Acting Glass Fuses

For 1/4" x 5/8" (6.3mm x 15.9mm)

AGA
AGA-V



Dimensional Data



Catalog Symbol: AGA
1/4" x 5/8" (6.3mm x 15.9mm) - (1AG)

Fast-Acting Agency Approvals:
Std. 248-14

0-5A U.L. Listed, Guide JDYX, File E19180
5.1-12A U.L. Recognized, Guide JDYX2, File E19180

Body Material: Glass
Ferrule Material: Brass
Ferrule Plating: Nickel

General Information:

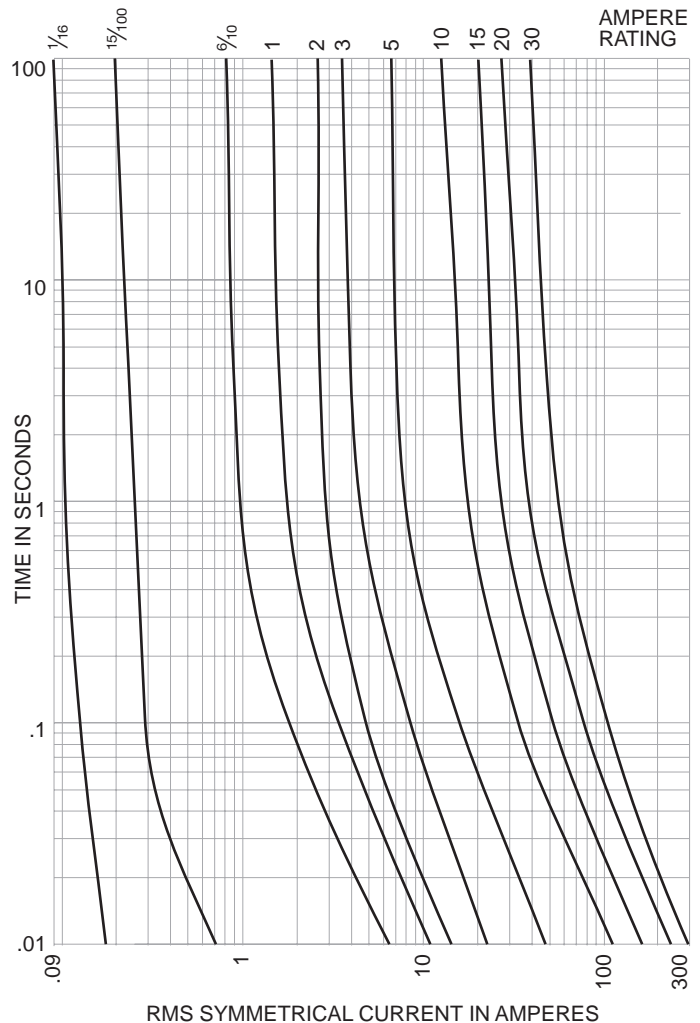
- Formerly 1AG.
- For electronic and small appliance circuits.
- Mounts in Buss in-line holders, HRK or 1/4" clips.

Packaging & Ordering Information:

Package Code Blank 5 in BK/100 in	AGA Product Symbol	V Lead Blank -no lead V-Axial lead	(See Table) Rated Current
---	--------------------------	---	------------------------------

CE CE logo denotes compliance with European Union Low Voltage Directive (50-1000 Vac, 75-1500 Vdc). Refer to BIF document #8002 or contact Bussmann Application Engineering at 314-527-1270 for more information.

Time-Current Characteristic Curves-Average Melt (Full Size Curves Available)



Electrical Ratings (Catalog Symbol and Amperes)			
125 Volts AC		32 Volts AC	
AGA-1/16	AGA-3/4	AGA-6	AGA-30
AGA-1/10	AGA-1	AGA-7	
AGA-1/8	AGA-1 1/2	AGA-7 1/2	
AGA-1/4	AGA-2	AGA-10	
AGA-3/8	AGA-2 1/2	AGA-15	
AGA-1/2	AGA-3	AGA-20	
AGA-9/10	AGA-5	AGA-25	

Carton Quantity and Weight

Ampere Ratings	Carton Qty.	Weight*	
		Lbs.	Kg.
1/16-30	100	0.73	331

*Weight per carton.

The only controlled copy of this BIF document is the electronic read-only version located on the Bussmann Network Drive. All other copies of this document are by definition uncontrolled. This bulletin is intended to clearly present comprehensive product data and provide technical information that will help the end user with design applications. Bussmann reserves the right, without notice, to change design or construction of any products and to discontinue or limit distribution of any products. Bussmann also reserves the right to change or update, without notice, any technical information contained in this bulletin. Once a product has been selected, it should be tested by the user in all possible applications.