

Telpower® Fused Disconnect Switch

DC Distribution Protection System

145 Volt DC, 3-70 Amps

15800



- Branch circuit protection recognized.
- Mounts directly to bus bar to enhance reliability.
- Includes alarm signaling circuit (visual & remote).
- Common Alarm Bus.
- Front access version for load connections.
- For use with Bussmann Fuse Type **TPS**
- GMT-A Alarm Fuse.
- Thermoplastic housing material U.L. Rated V-O, 150°C.
- Spare alarm and power fuse compartment.
- Mounting hardware included.

FUSED DISCONNECT SWITCH

for TPS Series Fuses

CATALOG SYMBOLS: Disconnect Switch: 15800

DC DISTRIBUTION/PROTECTION SYSTEM

ELECTRICAL RATING—145 VOLTS DC

1 TO 70 AMPERES

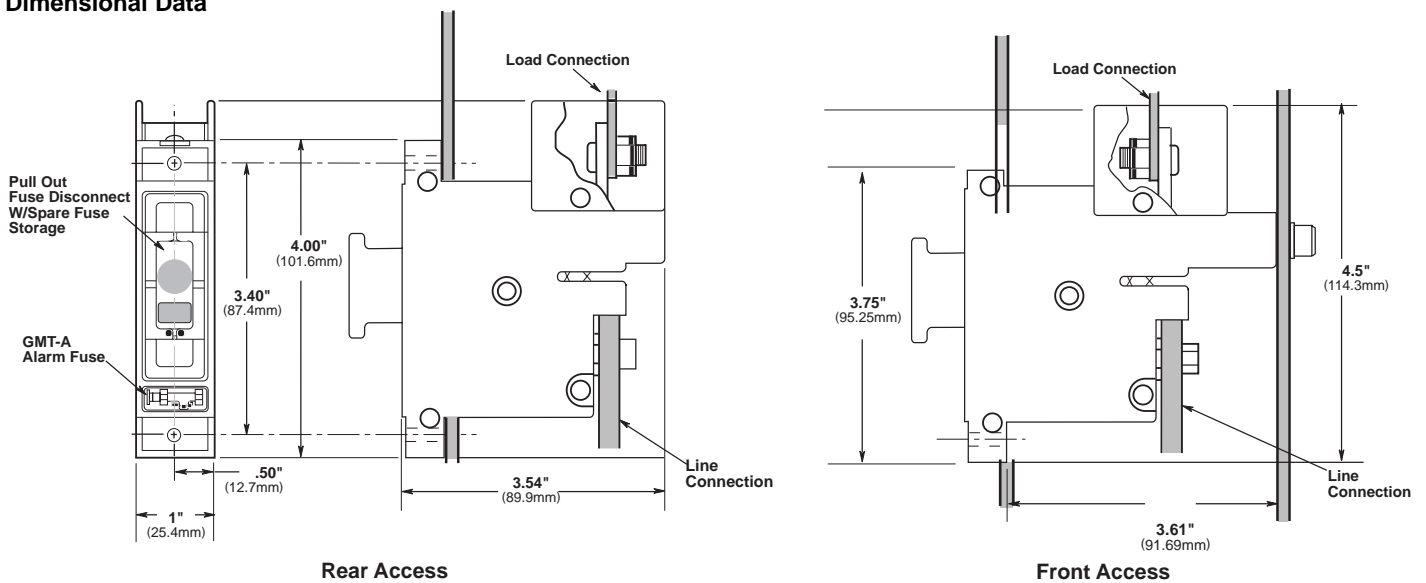
U.L. RECOGNIZED FILE E97649, Guide QPQYZ

U.L. WITHSTAND RATING 100,000 AMPS, 145 VOLTS DC

Catalog Numbers

15800-R-200	Rear Access Panel Mounting
15800-F-200	Front Access Panel Mounting

Dimensional Data



The only controlled copy of this BIF document is the electronic read-only version located on the Bussmann Network Drive. All other copies of this BIF document are by definition uncontrolled. This bulletin is intended to clearly present comprehensive product data and provide technical information that will help the end user with design applications. Bussmann reserves the right, without notice, to change design or construction of any products and to discontinue or limit distribution of any products. Bussmann also reserves the right to change or update, without notice, any technical information contained in this bulletin. Once a product has been selected, it should be tested by the user in all possible applications.