

Telpower® Fused Disconnect

145 Volt, 70-600 Amps

15100



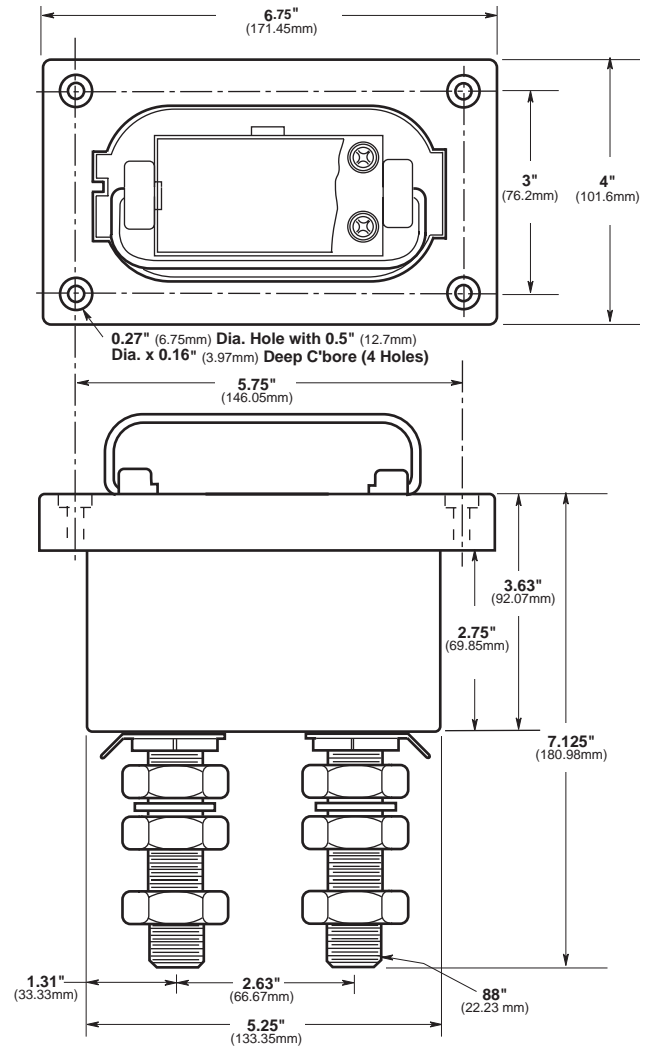
CATALOG SYMBOL: 15100-412, 15100-604
 FUSED DISCONNECT SYSTEM
 70-600 AMPERES
 60 VOLTS DC
 U.L. RECOGNIZED (FILE E97649)

Catalog Numbers

15100-401	For Use With TPL series fuses
-----------	-------------------------------

- Designed for use with Telpower® Fuses **Type TPL.**
- Load disconnect.
- Short circuit capability 100kA at 145V DC.

Dimensional Data – 15100-412



Contact Bussmann for other dimensions.

The only controlled copy of this BIF document is the electronic read-only version located on the Bussmann Network Drive. All other copies of this BIF document are by definition uncontrolled. This bulletin is intended to clearly present comprehensive product data and provide technical information that will help the end user with design applications. Bussmann reserves the right, without notice, to change design or construction of any products and to discontinue or limit distribution of any products. Bussmann also reserves the right to change or update, without notice, any technical information contained in this bulletin. Once a product has been selected, it should be tested by the user in all possible applications.