

The innovative SBX<sup>®</sup> connectors provide cost-effective reliability, design flexibility and safety for your products' manufacture, installation and maintenance.

APP's 2 pole connector is available with a 175 amp rating, 600 Volts continuous AC or DC operation. There are SBX<sup>®</sup> connectors for many applications and wire sizes, 1/0 or 35 mm. Mechanical keys ensure connectors will only mate with connectors of the same color. Different color housings are selected to identify voltages, thus preventing mismatching of the power supply system.

## FEATURES

- Mechanical keyed housings**  
*Prevents accidental mating of components operating at different voltage levels*
- Auxiliary contacts**  
*Provides ability to incorporate a secondary sensor control circuit*
- Optional mechanical release**  
*Aids mating and unmating for high cycle battery charging*



## PRODUCT SPECIFICATIONS

Connector Model	SBX <sup>®</sup> 175	Connector Model	SBX <sup>®</sup> 175
UL Current Rating (Amperes)*	175*	Life	
UL Voltage Ratings (Volts)	600*	a. No load (Contact/Disconnect Cycles)	To 10,000
Contact Barrel Wire Size	1/0 to 35 mm	b. Under Load (Hot Plug 250 cycles @ 120V)	75A
Maximum Wire Insulation Diameter (inches)	0.75	Avg. Connection/Disconnect (lbf)	25
(mm)	19.1	Operating Temperature Range °C**	-20° to 105°
Maximum Wire Insulation Diameter		°F	-4° to 221°
AVG Contact Resistance* (micro-ohms)	100	Flammability Rating of Housing Material	UL94 V-0
Insulation Withstanding Test Voltage (Volts AC/DC)	2200		
Contact Retention Force (lbf)	300		



\* UL Rated for 65°C largest wire or cable size

\*\* Contact factory for higher temperature rated connector

## ORDERING INFORMATION

### 2 Pole Housing, 175 amp Contacts, & Auxiliary Contacts

Part Number	Housing Color	Wire	
		AWG	sq. mm
6370G1	Gray	1/0	53.5
6371G1	Blue	1/0	53.5
6372G1	Orange	1/0	53.5
6373G1	Yellow	1/0	53.5
6378G1	Red	1/0	53.5
6387G1	Green	1/0	53.5
6378G2	Red	35	-
6387G2	Green	35	-
6370G2	Gray	35	-
6371G2	Blue	35	-
6372G2	Orange	35	-
6373G2	Yellow	35	-

### 2 Pole Housing & Contacts

Part Number	Housing Color	Wire	
		AWG	sq. mm
6374G1	Gray	1/0	53.5
6375G1	Blue	1/0	53.5
6376G1	Orange	1/0	53.5
6377G1	Yellow	1/0	53.5
6379G1	Red	1/0	53.5
6391G1	Green	1/0	53.5
6374G2	Gray	35	-
6375G2	Blue	35	-
6376G2	Orange	35	-
6377G2	Yellow	35	-
6379G2	Red	35	-
6391G2	Green	35	-

### Housings Only

Part Number	Color	
	Number	Color
6380G1	Gray	
6381G1	Blue	
6382G1	Orange	
6383G1	Yellow	
6385G1	Red	
6390G1	Green	

### Contacts

Part Number	Description	Wire	
		AWG	sq. mm
6384G1	Contact set (2)	1/0	53.5
6384G2	Contact set (2)	N/A	35

Note: For additional colors please contact customer service

**HEADQUARTERS:** 13 Pratts Junction Road, Sterling, MA 01564-2305 USA T:978-422-3600 F:978-422-3700

**EUROPE:** Rathealy Road, Fermoy Co. Cork, Ireland T:353-(0)25-32277 F:353-(0)25-32296

**ASIA/PACIFIC:** IDEAL Anderson Asia Pacific Ltd., Unit 922-928 Topsail Plaza, 11 On Sum Street, Shatin N.T., Hong Kong T:852-2636-0836 F:852-2635-9036

**CHINA:** IDEAL Anderson Technologies (Shenzhen) Ltd., Block A8 Tantou W. Ind. Par, Songgang Baoan District, Shenzhen, P.R. China 51810 T: 86-755-2768-2118 F: 86-755-2768-2218

**TAIWAN:** IDEAL Anderson Asia Pacific Ltd., Taiwan Branch, 4F-2, No.116, Dadun 20th St., Situn District, Taichung City 407, Taiwan (R.O.C.) T: 886-4-2310-6451 F:886-4-2310-6460

[www.andersonpower.com](http://www.andersonpower.com)

## ORDERING INFORMATION

### Accessories

Part Number	Description
6344	Auxiliary contact kit
6367G1	Pin kit #16/12 (1.31/3.31mm)-for battery
6337G1	Charger key
6366G2	Charger key & socket
995G1	Handle with hardware"A" frame
993G2	Manual release-battery bracket with hardware
994G2	Manual release-charger/truck bracket with hardware
945G2	Cable clamps-use alone with manual release or "A" frame handle

### Bushings

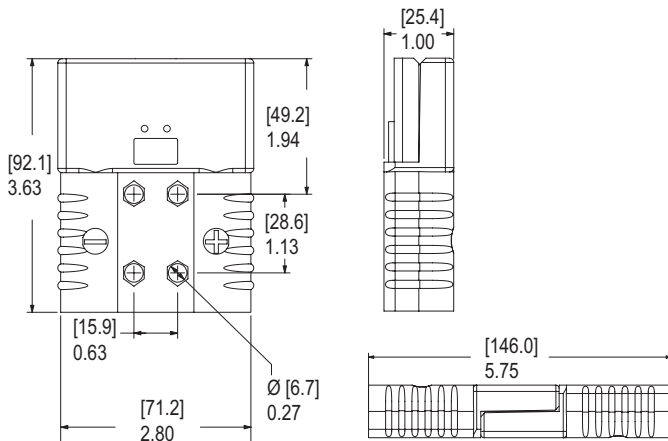
Part Number	Description	Wire	
		AWG	sq. mm
5687	For use with 6384G1	1/0 to #1	53.5 to 42.4
5690	For use with 6384G1	1/0 to #2	53.5 to 33.6
5693	For use with 6384G1	1/0 to #4	53.5 to 21.2
5663	For use with 6384G1	1/0 to #6	53.5 to 13.3
5648	For use with 6384G1	1/0 to #10	53.5 to 5.3
5920	For use with 6384G2	N/A	35mm to 16mm

### Tooling

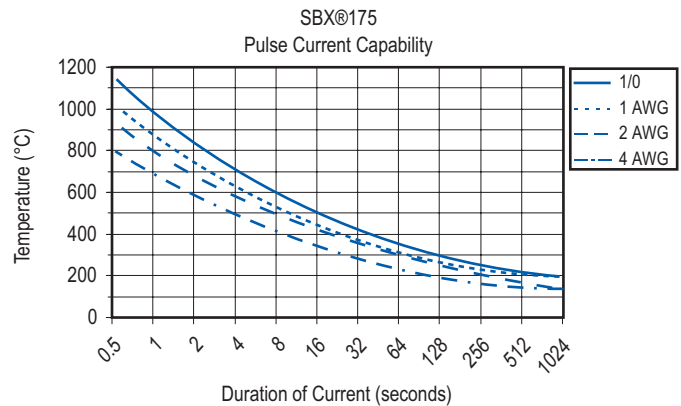
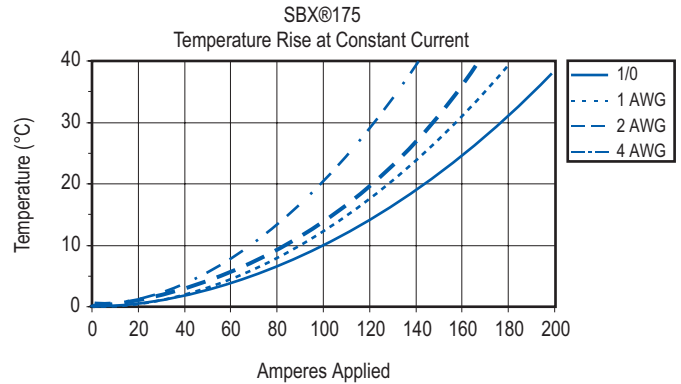
Part Number	Description
969P1	Extraction tool-insulatd handle
111038G2	Contact insertion/extraction tool for auxiliary contact kit
1368	Hand tool for 1/0 to 35mm (53.5/35)
1387G1	Pneumatic tool
1388G3	- die for 1/0 to #10 (53.5/5.26)
1389G3	- locator for 1/0 to #10 (53.5/5.26)
1387G2	- Pneumatic tool
1303G4	- die for #4 (21.1)
1304G4	- locator for #4 (21.1)

## DIMENSIONS

### Housing



## TEMPERATURE RISE CHART



### Contacts

	-A-		-B-		-C-		-D-		-E-	
	mm	in.	mm	in.	mm	in.	mm	in.	mm	in.
6384G1	59.2	2.33	13.1	0.52	11.1	0.44	20.7	0.82	12.7	0.50
6384G2	59.2	2.33	13.1	0.52	9.5	0.38	20.7	0.82	12.7	0.50

