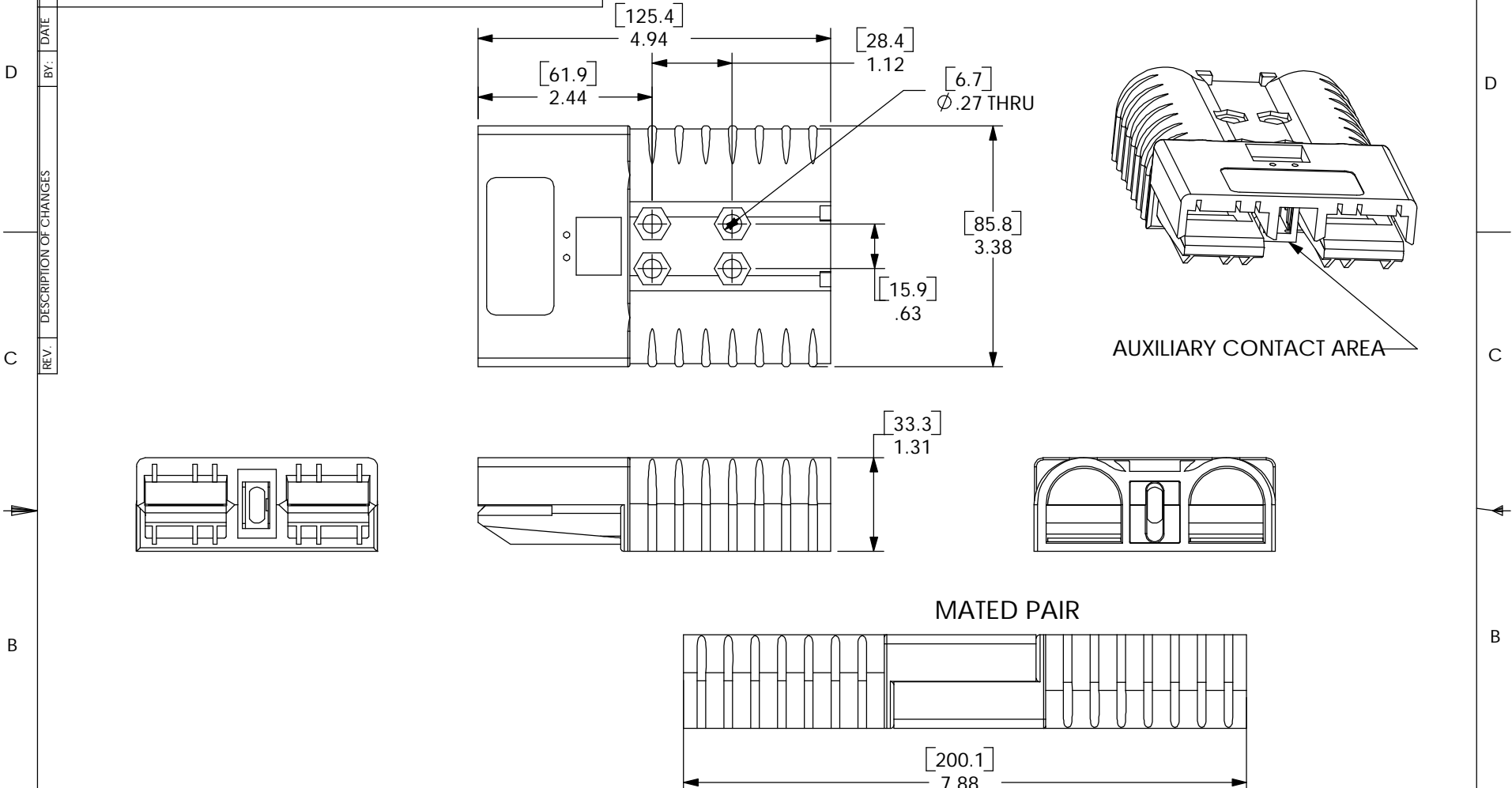


THE INFORMATION CONTAINED IN THIS DRAWING IS THE SOLE PROPERTY OF ANDERSON POWER PRODUCTS. ANY REPRODUCTION IN PART OR WHOLE WITHOUT THE WRITTEN PERMISSION OF ANDERSON POWER PRODUCTS IS PROHIBITED.



**COMPLIES WITH EN1175-1 (FORMERLY EEC86/663 DIRECTIVE)**

- NOTES:
1. SPRING/HOUSING ASSEMBLIES ARE UL RECOGNIZED PER FILE E26226, CSA CERTIFIED PER LR25154, AND TUV CERTIFICATION NO. R0097579.05 TO DIN VDE 0117
  2. HOUSINGS ARE KEYPED TO ONLY ALLOW MATING WITH THE SAME COLOR HOUSING
  3. FOR ASSEMBLY INSTRUCTIONS SEE DOCUMENT 1S6217
  4. HOUSINGS ASSEMBLIES ACCOMMODATE ANDERSON CONTACTS FOR WIRE RANGE FROM 170 TO 320 AMP ON 95 SQ. MM WIRE (#2 AWG TO 3/0).
  5. MATERIAL:  
HOUSINGS- PBT, UL94V0  
SPRING- STAINLESS STEEL
  6. OPTIONAL AUXILIARY CONTACT KIT AVAILABLE

ITEM NO.	PART OR IDENTIFYING NO.	NOMENCLATURE OR DESCRIPTION	MATERIAL SPECIFICATION	QTY RECD
COPYRIGHT 1999 ANDERSON POWER PRODUCTS. ALL RIGHTS RESERVED. UNAUTHORIZED REPRODUCTION HEREBY PROHIBITED.				
DIMENSIONS ARE IN INCHES DIMENSIONS IN PARENTHESES [ ] ARE IN MILLIMETERS		CAD GENERATED DRAWING, DO NOT MANUALLY UPDATE	ANDERSON POWER PRODUCTS	
TOLERANCES ARE: 2PL- ±.02 [±.5]		APPROVALS	DATE	
MATERIALS: <b>SEE NOTES</b>		DRAWN	CMS	3/15/99
FINISH *****		CHECKED	DJD	3/17/99
NEXT ASSY USED ON		RESP ENG	UFN	4/13/99
APPLICATION		MFG ENG	CHB	4/13/99
		QUAL ENG	DJM	4/13/99
DO NOT SCALE DRAWING			SIZE A	REV 0
			SPECIFICATION: 114128S1	
			SCALE -	FILE: K:/ENGDSN/CADFILES/00998 SHEET 1 OF 1