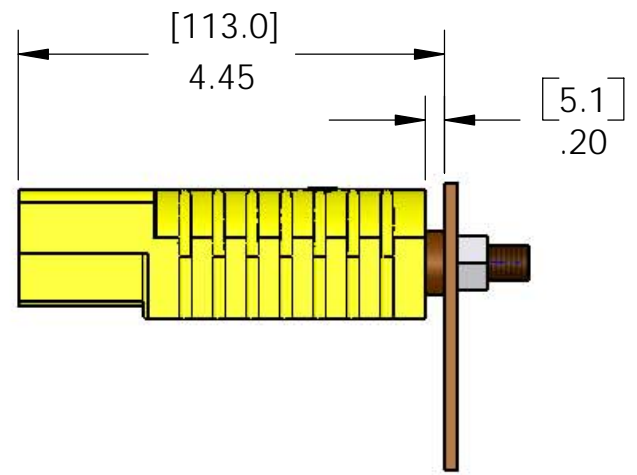
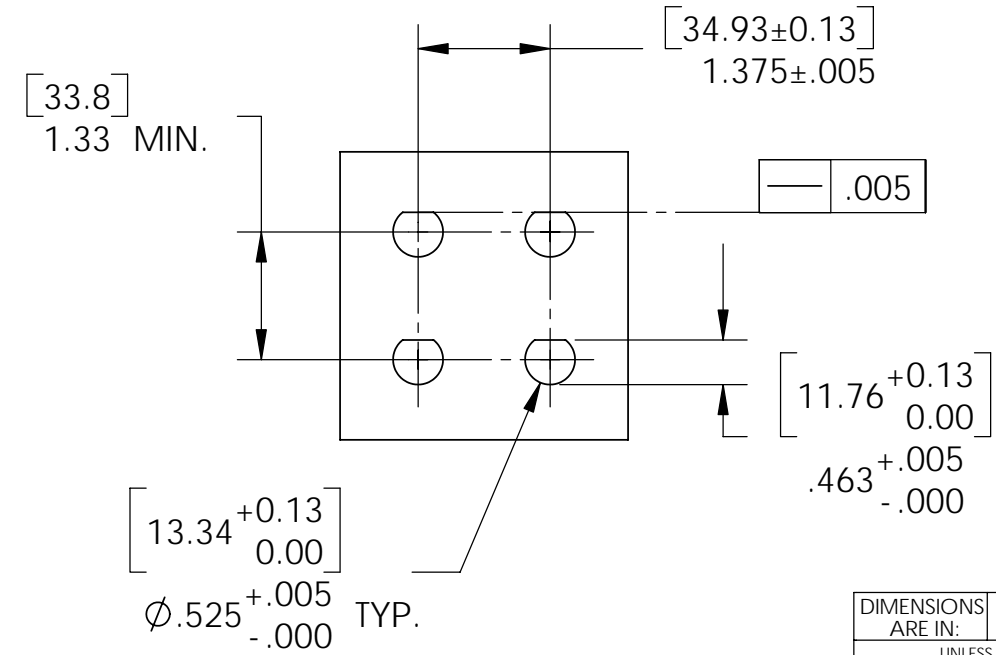
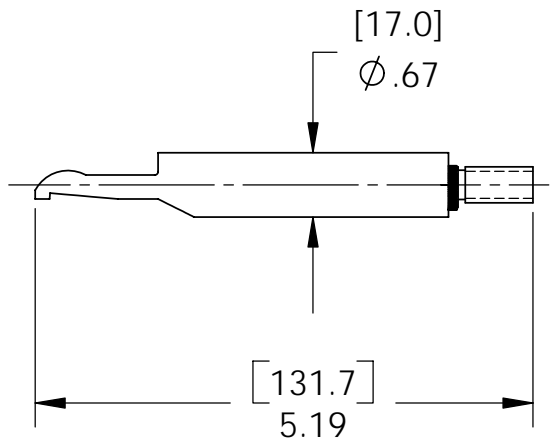
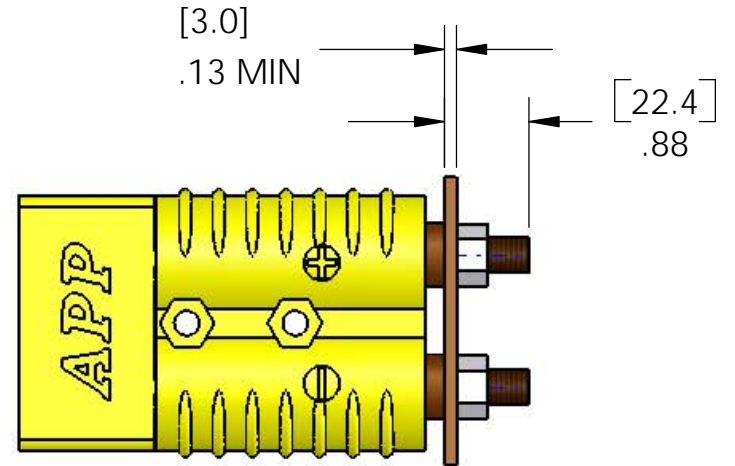
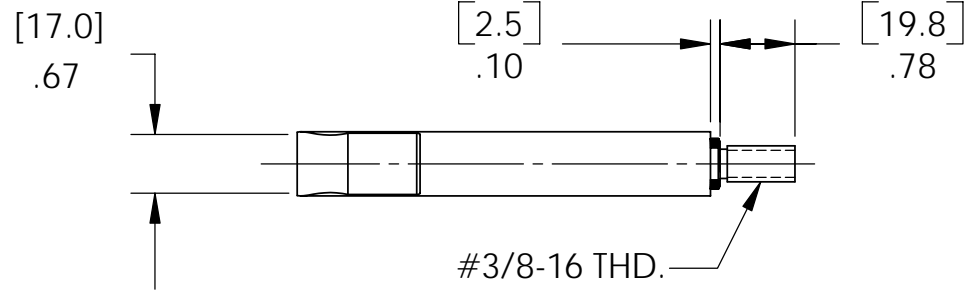


THE INFORMATION CONTAINED IN THIS DRAWING IS THE SOLE PROPERTY OF ANDERSON POWER PRODUCTS. ANY REPRODUCTION IN PART OR WHOLE WITHOUT THE WRITTEN PERMISSION OF ANDERSON POWER PRODUCTS IS PROHIBITED.

Copyright 2004

ANDERSON POWER PRODUCTS RESERVES THE RIGHT TO ALTER PRODUCT TYPES, THEIR TECHNICAL DATA, DIMENSION, STYLE AND ACCESSORIES WITHOUT PRIOR NOTIFICATION.



COMPONENTS FOR BUS BAR KIT
CATALOG NO. 114534G1

COMPONENT	QTY
SB350 HOUSING (YELLOW)	1
350A BUSBAR CONTACT	2
LOCK NUT	2

COMPONENTS FOR BUS BAR KIT
CATALOG NO. 114534G2

COMPONENT	QTY
SB350 HOUSING (GRAY)	1
350A BUSBAR CONTACT	2
LOCK NUT	2

- NOTES:
 1. TIGHTENING TORQUE = 120 IN-LBS
 2. CONTACT MATERIAL = COPPER ALLOY
 FINISH = SILVER PLATE
 HOUSING MATERIAL = POLYCARBONATE

DIMENSIONS ARE IN:		INCH[MM]	MM[INCH]	APPROVALS		 ANDERSON POWER PRODUCTS TITLE 350A BUS BAR ASSEMBLY SALES OUTLINE
UNLESS OTHERWISE STATED				DRAWN	AMP	
TOLERANCES:				CHECKED	DJD	9/30/04
DECIMALS (INCH)	DECIMALS (MM)	ANGLES		MFG APP	DAM	9/30/04
.XX ± .02	.X ± .5	± 2°		QC APP	RPO	9/30/04
SURFACE FINISH:				ENG APP	MAW	9/30/04
MACHINED 128 [3.2] ✓						
MOLDED 64 [1.6] ✓						
MATERIAL: SEE NOTE 2				SIZE	DWG NO.	REV.
FINISH: SEE NOTE 2				B/A3	B01998S1	2
-CAD GENERATED DRAWING- DO NOT MANUALLY UPDATE DO NOT SCALE				SCALE	CADFILE	SHEET
				NONE	02143	1 OF 1

REV.	DESCRIPTION OF CHANGES	APPROVED	DATE
2	ECRN 13843 - MODIFY D-SHAPE TOLERANCES	AMP	6/6/05
1	ECRN 13780 - ADD GRAY HOUSING KIT, MODIFY TORQUE	AMP	2/2/05

