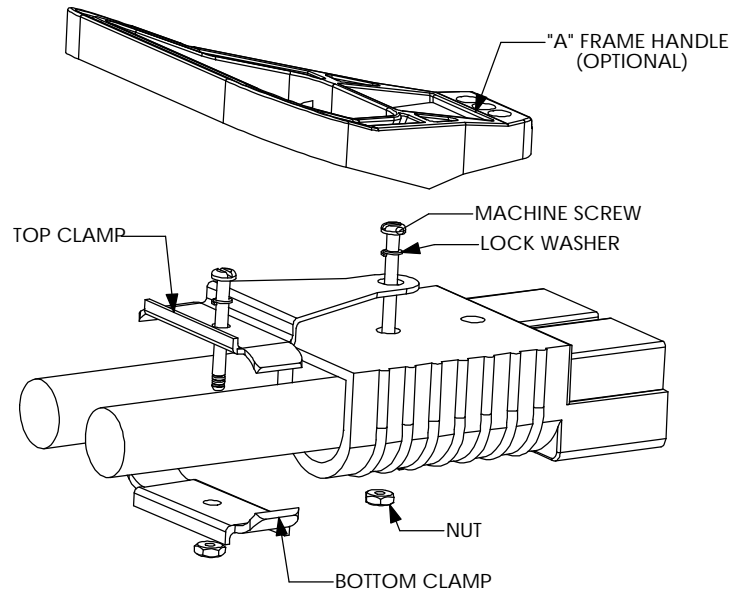
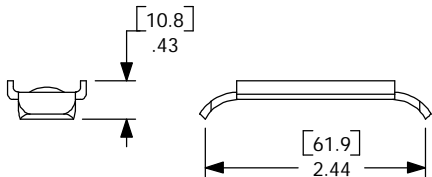
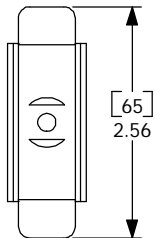
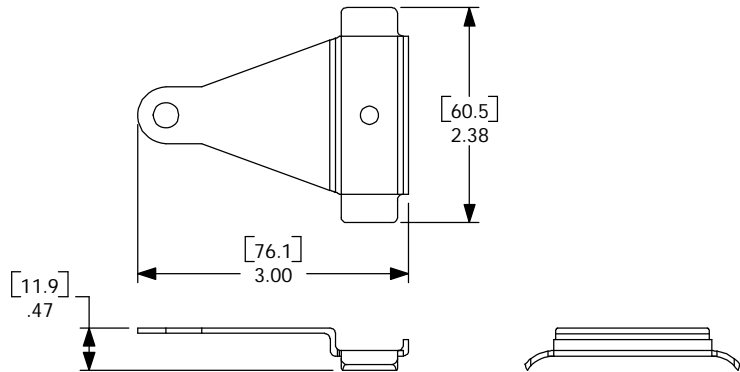


THE INFORMATION CONTAINED IN THIS DRAWING IS THE SOLE PROPERTY OF ANDERSON POWER PRODUCTS. ANY REPRODUCTION IN PART OR WHOLE WITHOUT THE WRITTEN PERMISSION OF ANDERSON POWER PRODUCTS IS PROHIBITED.

REV.	DESCRIPTION OF CHANGES	BY:	DATE



ITEM NO.	PART OR IDENTIFYING NO.	NOMENCLATURE OR DESCRIPTION	MATERIAL SPECIFICATION	QTY REQD
COPYRIGHT 2000 ANDERSON POWER PRODUCTS. ALL RIGHTS RESERVED. UNAUTHORIZED REPRODUCTION HEREBY PROHIBITED.				
DIMENSIONS ARE IN INCHES DIMENSIONS IN PARENTHESES [ ] ARE IN MILLIMETERS		CAD GENERATED DRAWING. DO NOT MANUALLY UPDATE		<b>ANDERSON POWER PRODUCTS</b>
TOLERANCES ARE: 2PL- ±.02 [±.5]		APPROVALS	DATE	
MATERIALS: SEE NOTES		DRAWN	CMS 2/9/00	CATALOG NUMBER 996G1 SB350 CABLE CLAMP FOR TWO SINGLE CONDUCTOR CABLES
FINISH		CHECKED	DJD 2/10/00	
NEXT ASSY		USED ON	RESP ENG	UFN 5/8/00
APPLICATION		DO NOT SCALE DRAWING	MFG ENG	CHB 4/28/00
			QUAL ENG	RPO 5/8/00
			SCALE	NONE
			CADFILES/01193	SHEET 1 OF 1
			SIZE	A
			SPECIFICATION:	114231S1
			REV.	0