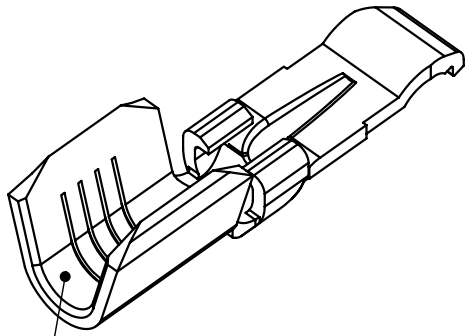


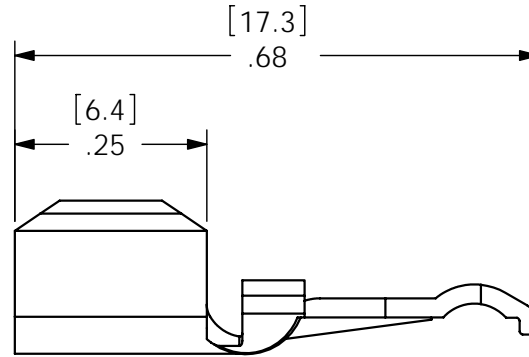
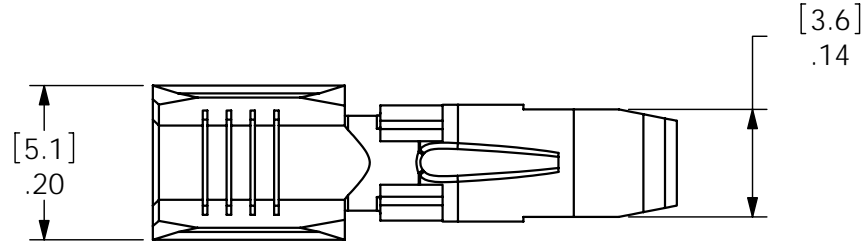
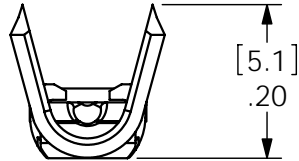
THE INFORMATION CONTAINED IN THIS DRAWING IS THE SOLE PROPERTY OF ANDERSON POWER PRODUCTS. ANY REPRODUCTION IN PART OR WHOLE WITHOUT THE WRITTEN PERMISSION OF ANDERSON POWER PRODUCTS IS PROHIBITED.

ANDERSON POWER PRODUCTS RESERVES THE RIGHT TO ALTER PRODUCT TYPES, THEIR TECHNICAL DATA, DIMENSION, STYLE AND ACCESSORIES WITHOUT PRIOR NOTIFICATION.

REV.	DESCRIPTION OF CHANGES	BY:	DATE
2	ECRN: 13212 - REDRAWN	CMS	6/15/99
3	ECRN 14110 - REDRAWN	AMS	2/28/07



BARREL FOR  
#16-20 AWG WIRE



ITEM NO.	PART OR IDENTIFYING NO.	NOMENCLATURE OR DESCRIPTION	MATERIAL SPECIFICATION	QTY RECD
COPYRIGHT 2002 ANDERSON POWER PRODUCTS. ALL RIGHTS RESERVED. UNAUTHORIZED REPRODUCTION HEREBY PROHIBITED.				
DIMENSIONS ARE IN INCHES DIMENSIONS IN PARENTHESES [ ] ARE IN MILLIMETERS		CAD GENERATED DRAWING, DO NOT MANUALLY UPDATE		<b>ANDERSON POWER PRODUCTS</b>
TOLERANCES ARE: 2PL- ±.02 [±.5]		APPROVALS	DATE	
MATERIALS: <i>COPPER</i>		DRAWN	GN 6/30/99	CATALOG #200G2L LOW DETENT REEL CONTACT FOR POWERPOLES TYPE "F" CRIMP
FINISH <i>HOT TIN DIP</i>		CHECKED	DJD 9/19/00	
NEXT ASSY	USED ON	RESP ENG	UFN 9/20/00	SIZE A
APPLICATION		MFG ENG	CHB 9/19/00	SPECIFICATION: 114277S1
DO NOT SCALE DRAWING		QUAL ENG	RPO 9/19/00	REV. 3
		SCALE	NONE	FILE: CADFILES/ 01287
				SHEET 1 OF 1