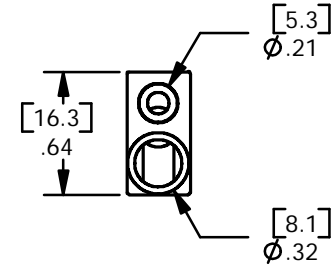
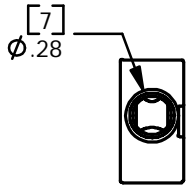
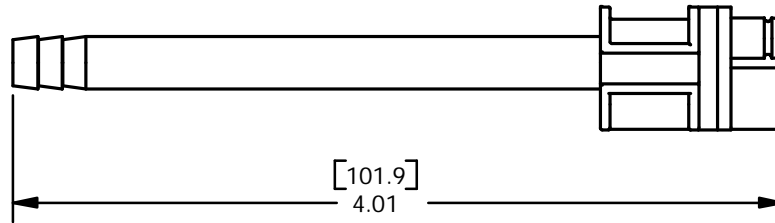
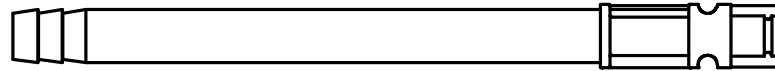
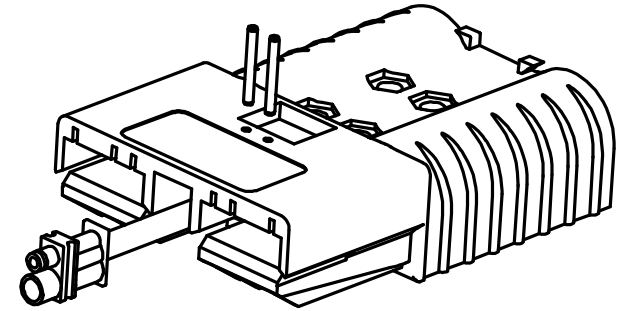
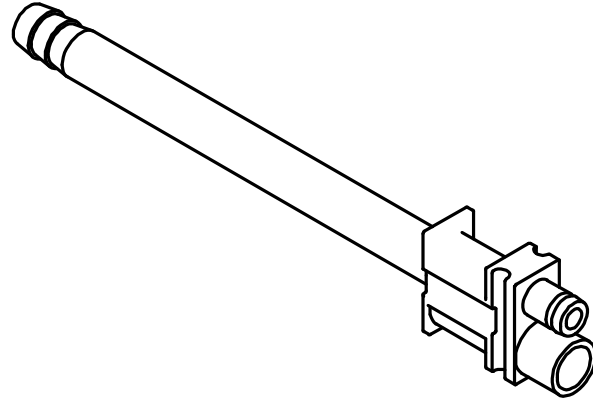


THE INFORMATION CONTAINED IN THIS DRAWING IS THE SOLE PROPERTY OF ANDERSON POWER PRODUCTS. ANY REPRODUCTION IN PART OR WHOLE WITHOUT THE WRITTEN PERMISSION OF ANDERSON POWER PRODUCTS IS PROHIBITED.

ANDERSON POWER PRODUCTS RESERVES THE RIGHT TO ALTER PRODUCT TYPES, THEIR TECHNICAL DATA, DIMENSION, STYLE AND ACCESSORIES WITHOUT PRIOR NOTIFICATION.

BY:	DATE
**	**
DESCRIPTION OF CHANGES	
REV.	**



- NOTES:
 1. AIRTUBE KIT INCLUDES TWO RETAINING PINS AND ONE O-RING
 2. TO BE USED WITH THE SBE320 AND SBE160 HOUSINGS ONLY

ITEM NO.	PART OR IDENTIFYING NO.	NOMENCLATURE OR DESCRIPTION	MATERIAL SPECIFICATION	QTY REQD
COPYRIGHT 2002 ANDERSON POWER PRODUCTS. ALL RIGHTS RESERVED. UNAUTHORIZED REPRODUCTION HEREBY PROHIBITED.				
DIMENSIONS ARE IN INCHES DIMENSIONS IN PARENTHESES [] ARE IN MILLIMETERS		CAD GENERATED DRAWING, DO NOT MANUALLY UPDATE		ANDERSON POWER PRODUCTS
TOLERANCES ARE: 2PL- ±.02 [±.5]		APPROVALS	DATE	
		DRAWN	CMS	4/12/02
		CHECKED	DJD	4/16/02
		RESP ENG	UFN	4/16/02
		MFG ENG	DAM	4/16/02
		QUAL ENG	RPO	4/16/02
NEXT ASSY	USED ON	FINISH		SIZE
		BLACK PC		A
		NONE		SPECIFICATION:
APPLICATION	DO NOT SCALE DRAWING	114364S1		REV.
		SCALE	CADFILES/01598	0
		NONE		