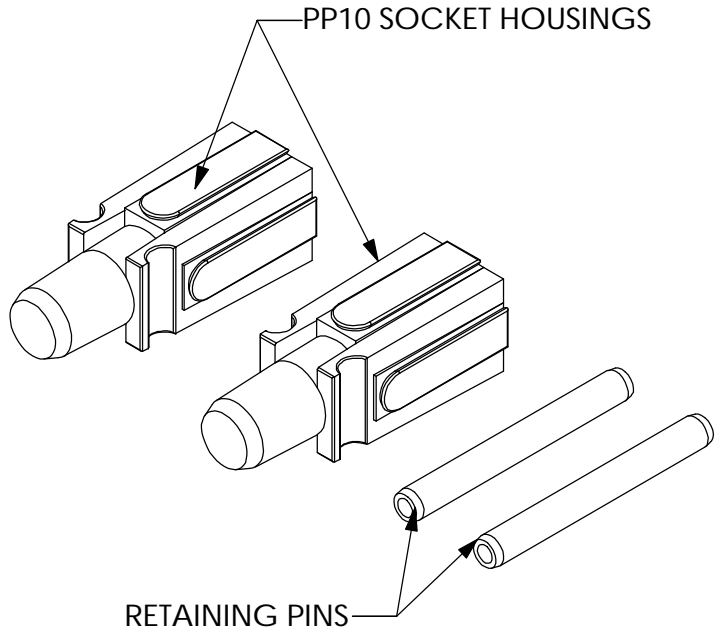
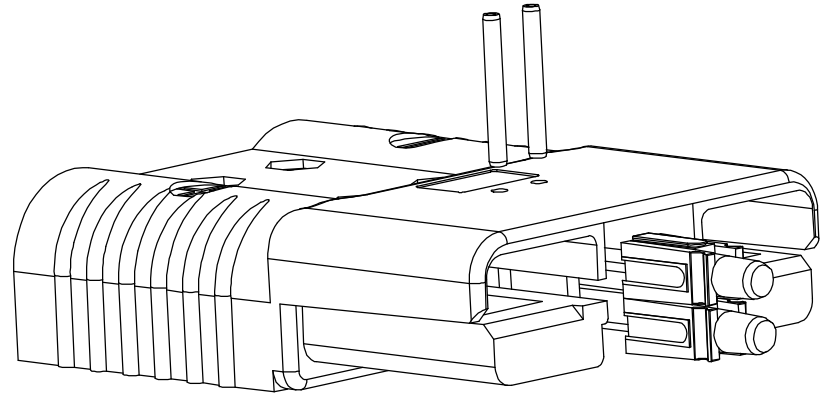


THE INFORMATION CONTAINED IN THIS DRAWING IS THE SOLE PROPERTY OF ANDERSON POWER PRODUCTS. ANY REPRODUCTION IN PART OR WHOLE WITHOUT THE WRITTEN PERMISSION OF ANDERSON POWER PRODUCTS IS PROHIBITED.

BY:	DATE
DESCRIPTION OF CHANGES	
REV.	

### COMPONENTS INCLUDED IN 6365G1 CHARGER KEY AND HOUSING

COMPONENT	QTY
PP10 SOCKET HOUSING	2
RETAINING PINS	2



NOTES:  
CONNECTOR SOLD SEPARATELY

ITEM NO.	PART OR IDENTIFYING NO.	NOMENCLATURE OR DESCRIPTION	MATERIAL SPECIFICATION	QTY REQD
COPYRIGHT 2000 ANDERSON POWER PRODUCTS. ALL RIGHTS RESERVED. UNAUTHORIZED REPRODUCTION HEREBY PROHIBITED.				
DIMENSIONS ARE IN INCHES DIMENSIONS IN PARENTHESES [ ] ARE IN MILLIMETERS		CAD GENERATED DRAWING. DO NOT MANUALLY UPDATE		<b>ANDERSON POWER PRODUCTS</b>
TOLERANCES ARE: 2PL- ±.02 [±.5]		APPROVALS	DATE	
MATERIALS: --		DRAWN	CMS 5/11/00	CATALOG NUMBER 6365G1 CHARGER KEY AND HOUSING SBE/SBX CONNECTORS
FINISH --		CHECKED	DJD 5/16/00	
NEXT ASSY USED ON		RESP ENG	UFN 5/22/00	
APPLICATION		MFG ENG	CHB 5/22/00	
DO NOT SCALE DRAWING		QUAL ENG	RPO 5/22/00	REV. 0
SCALE NONE		CADFILES/01226		SHEET 1 OF 1