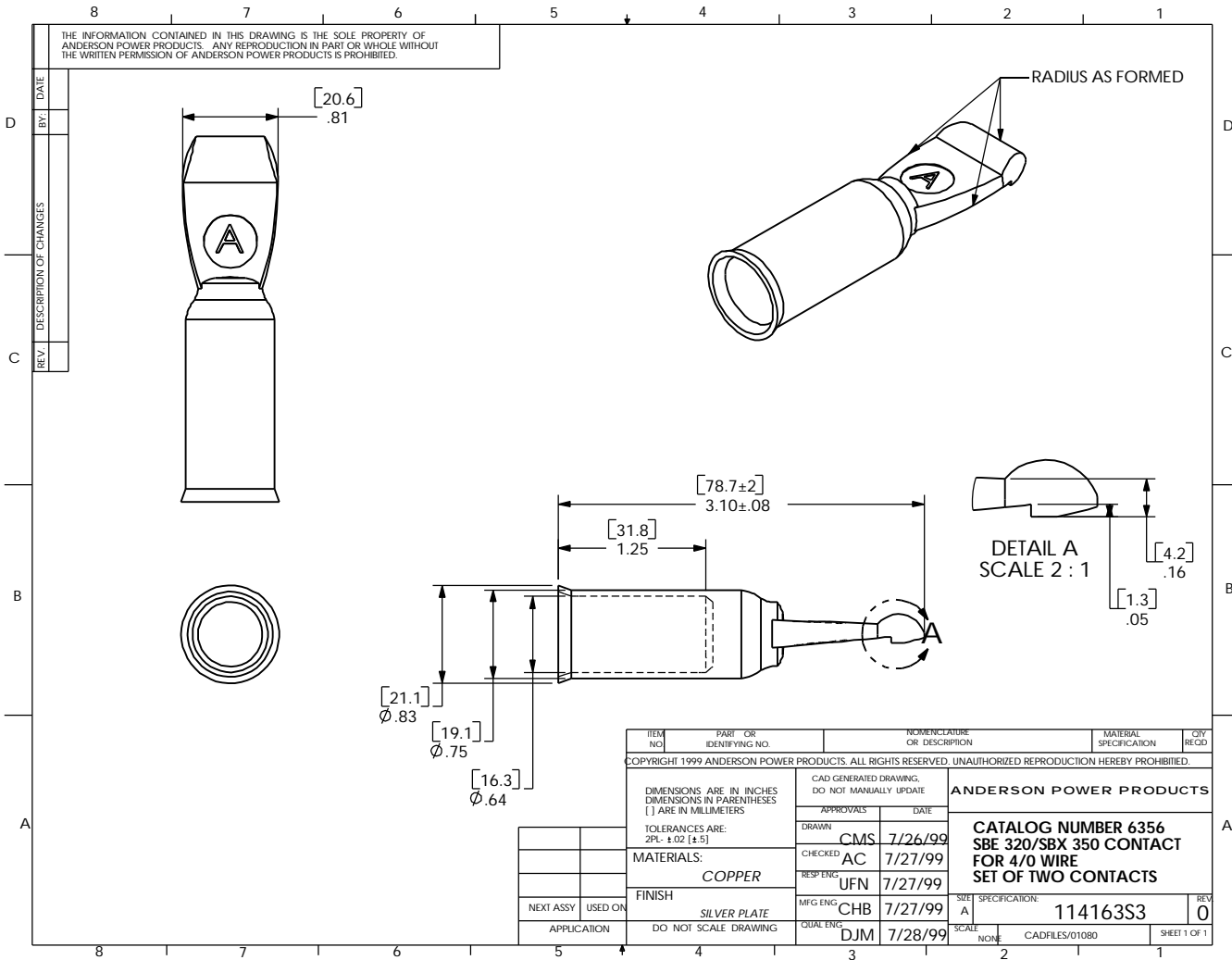


THE INFORMATION CONTAINED IN THIS DRAWING IS THE SOLE PROPERTY OF ANDERSON POWER PRODUCTS. ANY REPRODUCTION IN PART OR WHOLE WITHOUT THE WRITTEN PERMISSION OF ANDERSON POWER PRODUCTS IS PROHIBITED.



| REV. | DESCRIPTION OF CHANGES | DATE |
|------|------------------------|------|
| | | |

| | |
|-------------|----------------------|
| NEXT ASSY | USED ON |
| | |
| APPLICATION | DO NOT SCALE DRAWING |

| | | | | |
|---|-------------------------|---|------------------------|----------|
| ITEM NO. | PART OR IDENTIFYING NO. | NOMENCLATURE OR DESCRIPTION | MATERIAL SPECIFICATION | QTY REQD |
| COPYRIGHT 1999 ANDERSON POWER PRODUCTS. ALL RIGHTS RESERVED. UNAUTHORIZED REPRODUCTION HEREBY PROHIBITED. | | | | |
| DIMENSIONS ARE IN INCHES DIMENSIONS IN PARENTHESES [] ARE IN MILLIMETERS | | ANDERSON POWER PRODUCTS | | |
| TOLERANCES ARE: ZPL - .02 [±.5] | | CAD GENERATED DRAWING, DO NOT MANUALLY UPDATE | | |
| MATERIALS: | COPPER | CATALOG NUMBER 6356 SBE 320/SBX 350 CONTACT FOR 4/0 WIRE SET OF TWO CONTACTS | | |
| FINISH | SILVER PLATE | SPECIFICATION: 114163S3 | | |
| | | SIZE A | | |
| | | SCALE NONE | | |
| | | CADFILES/01080 | | |
| | | SHEET 1 OF 1 | | |

| APPROVALS | DATE |
|-----------|-------------|
| DRAWN | CMS 7/26/99 |
| CHECKED | AC 7/27/99 |
| RESP'NG | UFN 7/27/99 |
| MFG ENG | CHB 7/27/99 |
| CRJL ENG | DJM 7/28/99 |

A