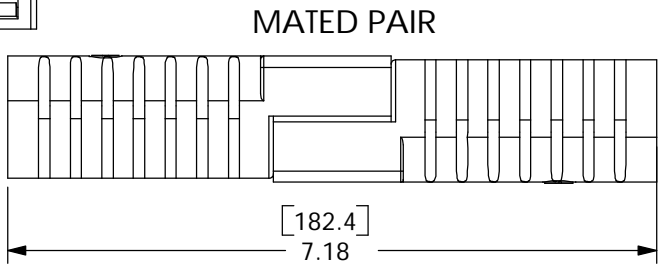
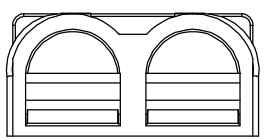
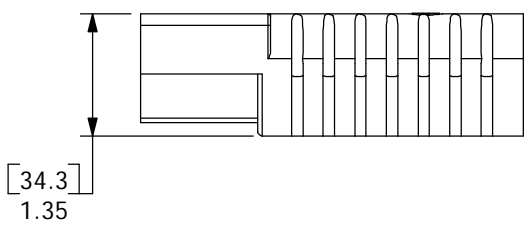
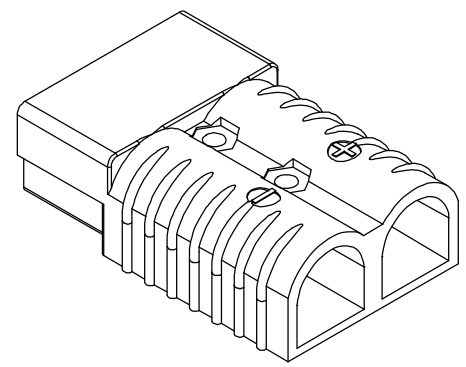
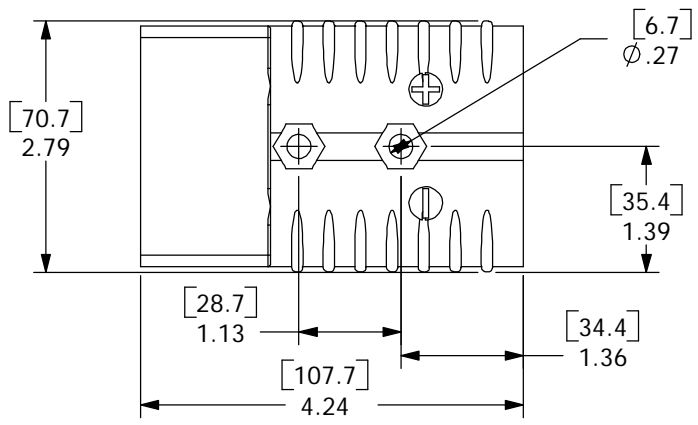


8 7 6 5 4 3 2 1

THE INFORMATION CONTAINED IN THIS DRAWING IS THE SOLE PROPERTY OF ANDERSON POWER PRODUCTS. ANY REPRODUCTION IN PART OR WHOLE WITHOUT THE WRITTEN PERMISSION OF ANDERSON POWER PRODUCTS IS PROHIBITED.

D
BY: DATE
C
REV. DESCRIPTION OF CHANGES



MATED PAIR

- NOTES:
1. SPRING/HOUSING ASSEMBLIES ARE UL RECOGNIZED PER FILE E26226, CSA CERTIFIED PER LR25154
 2. HOUSINGS ARE KEYED TO ONLY ALLOW MATING WITH THE SAME COLOR HOUSING.
 3. FOR ASSEMBLY INSTRUCTIONS SEE DOCUMENT 1S1030A
 4. HOUSING ASSEMBLIES ACCOMODATE ANDERSON CONTACTS FOR WIRE RANGE FROM 1/0 TO 300MCM.
 5. MATERIAL:
HOUSINGS-POLYCARBONATE, UL94V0
SPRING- STAINLESS STEEL

NEXT ASSY	USED ON
APPLICATION	

ITEM NO.	PART OR IDENTIFYING NO.	NOMENCLATURE OR DESCRIPTION	MATERIAL SPECIFICATION	QTY RECD
COPYRIGHT 1999 ANDERSON POWER PRODUCTS. ALL RIGHTS RESERVED. UNAUTHORIZED REPRODUCTION HEREBY PROHIBITED.				
DIMENSIONS ARE IN INCHES DIMENSIONS IN PARENTHESES [] ARE IN MILLIMETERS		CAD GENERATED DRAWING. DO NOT MANUALLY UPDATE	ANDERSON POWER PRODUCTS	
TOLERANCES ARE: 2PL- ±.02 [±.5]		APPROVALS	DATE	
MATERIALS: SEE NOTES		DRAWN	CMS	3/19/99
FINISH *****		CHECKED	DJD	3/19/99
DO NOT SCALE DRAWING		RESP ENG	UFN	4/19/99
		MFG ENG	CHB	4/20/99
		QUAL ENG	DJM	4/20/99
SPECIFICATION: 114132S1			SIZE A	REV 0
SCALE -			FILE: K:/ENGDSN/CADFILES/01002	SHEET 1 OF 1

8 7 6 5 4 3 2 1