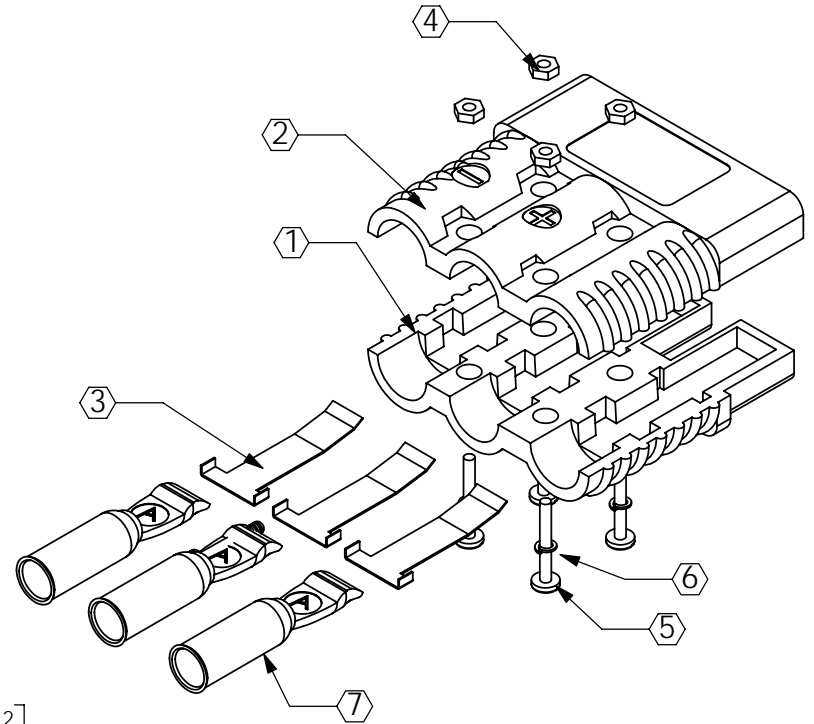
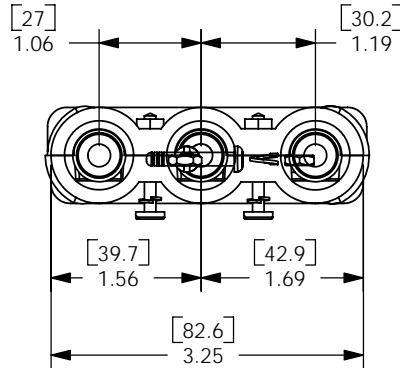
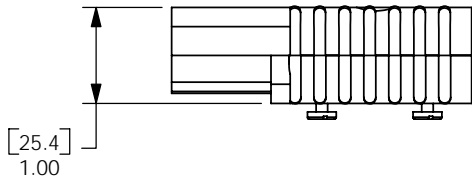
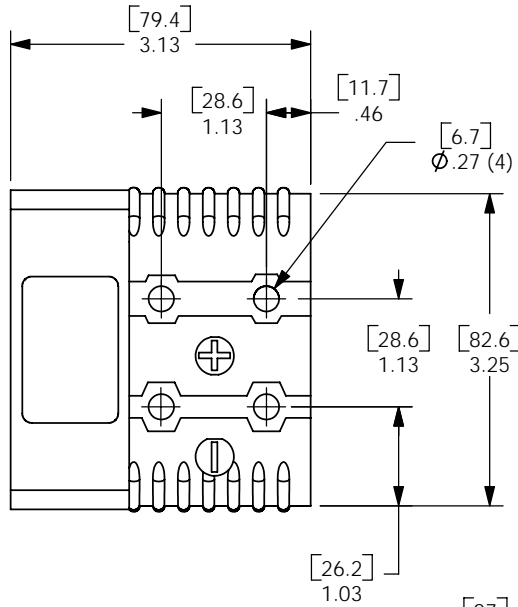


THE INFORMATION CONTAINED IN THIS DRAWING IS THE SOLE PROPERTY OF ANDERSON POWER PRODUCTS. ANY REPRODUCTION IN PART OR WHOLE WITHOUT THE WRITTEN PERMISSION OF ANDERSON POWER PRODUCTS IS PROHIBITED.

DATE	8/16/01
BY:	CMS
DESCRIPTION OF CHANGES	ECRN 13419- ADDED 1/0 CONTACTS
REV.	1
	2
	ECRN 13903 - TYPO ON MOUNTING DIM.



ITEM	QTY	DESCRIPTION
1	1	BOTTOM HOUSING
2	1	TOP HOUSING
3	3	SPRING
4	4	HEX NUT
5	4	ROUNDHEAD SCREW
6	4	LOCK WASHER
7	3	1/0 CONTACT

- NOTES:
- UL RECOGNIZED PER FILE E26226, CSA CERTIFIED PER LR25154
 - FOR ASSEMBLY INSTRUCTIONS SEE DOCUMENT 1S1036
 - HOUSING ASSEMBLIES ACCOMODATE ANDERSON CONTACTS FOR 1/0 WIRE SIZE
 - MATERIAL:
HOUSINGS-POLYCARBONATE, UL94V0
SPRING- STAINLESS STEEL
CONTACTS- COPPER W/ SILVER PLATE

ITEM NO.	PART OR IDENTIFYING NO.	NOMENCLATURE OR DESCRIPTION	MATERIAL SPECIFICATION	QTY REQD
COPYRIGHT 1999 ANDERSON POWER PRODUCTS. ALL RIGHTS RESERVED. UNAUTHORIZED REPRODUCTION HEREBY PROHIBITED.				
DIMENSIONS ARE IN INCHES DIMENSIONS IN PARENTHESES [] ARE IN MILLIMETERS		CAD GENERATED DRAWING, DO NOT MANUALLY UPDATE		ANDERSON POWER PRODUCTS CATALOG NUMBER 6316 SB175 3-POLE CONNECTOR OUTLINE DRAWING
TOLERANCES ARE: 2PL- ±.02 [±.5]		APPROVALS	DATE	
MATERIALS: SEE NOTES		DRAWN	CMS 3/22/99	
FINISH *****		CHECKED	DJD 3/23/99	
NEXT ASSY		USED ON	RESP ENG	UFN 4/19/99
APPLICATION		DO NOT SCALE DRAWING	MFG ENG	CHB 4/20/99
			QUAL ENG	DJM 4/20/99
		SCALE	CADFILES	REV.
		NONE	01003	2
		SHEET 1 OF 1		

D

C

B

A

D

C

B

A

8 7 6 5 4 3 2 1