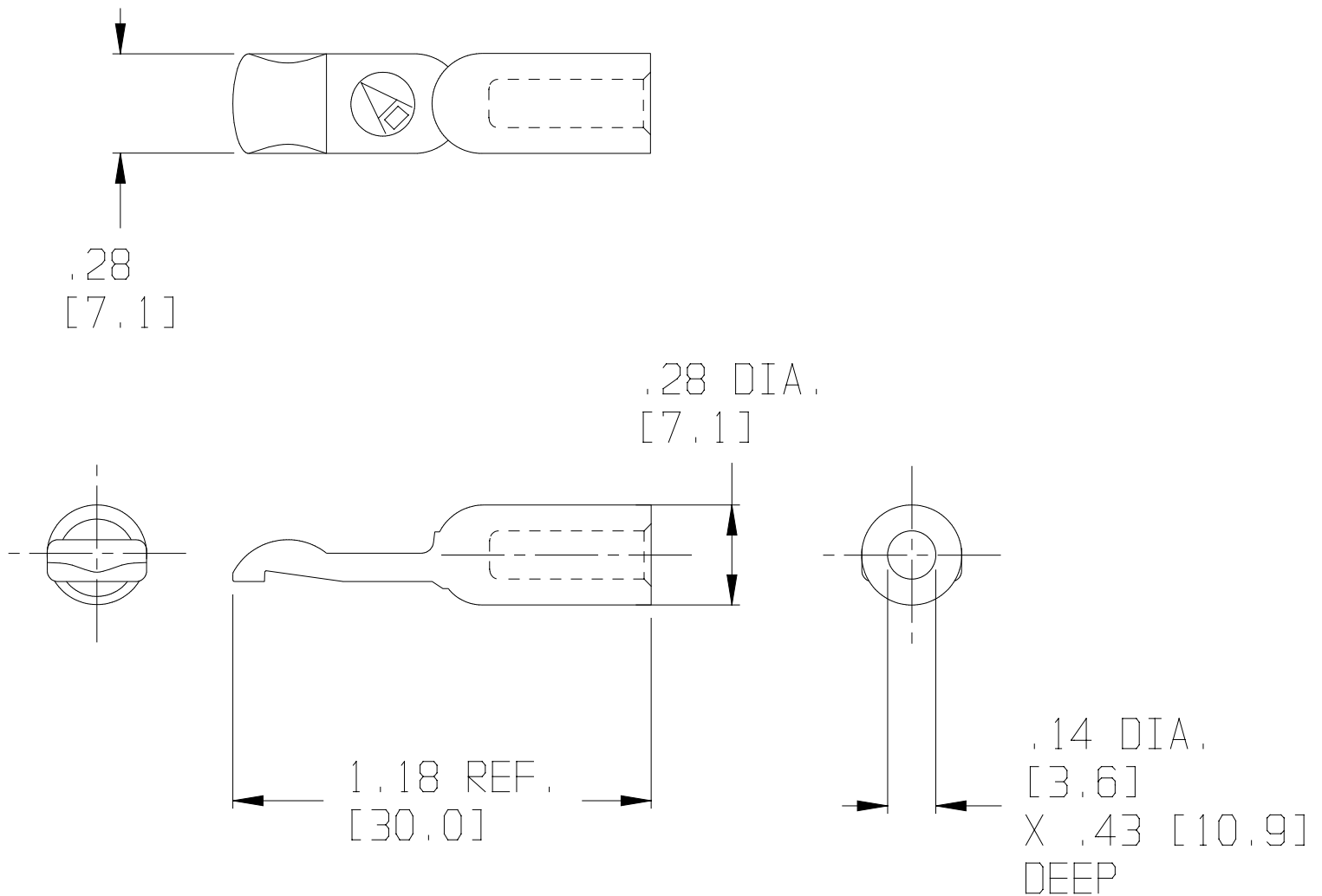


MAT SPEC.
COPPER ALLOY

FINISH
SILVER PLATE

REVISIONS

10 ECRN 13652 REV. & REDRWN DM 10/03



CATALOG NO. 5953

DRAWN BY
DD 4/70

CAD DRAWING NO.
01847 - LEVEL 2

DISC NO.

ANDERSON POWER PRODUCTS RESERVES THE RIGHT TO ALTER PRODUCT TYPES, THEIR TECHNICAL DATA, DIMENSIONS, STYLE AND ACCESSORIES WITHOUT PRIOR NOTIFICATION. UTILIZATION OF THIS DRAWING FOR ANY OTHER PURPOSE OTHER THAN GENERAL INFORMATION IS NOT PERMITTED WITHOUT PRIOR WRITTEN CONSENT.

CHECKED BY
JT 4/70

TITLE

MFG APP.
LB 4/70

OUTLINE
PP75/SB50 CONTACT
FOR #10-12 WIRE
LOW DETENT

Q.C. APP.
NH 12/05

ENG APP.
JT 4/70

 Anderson
Power
Products
DIV. OF HIGH VOLTAGE ENG.

DRAWING NO.

1C0608S31

REV.

10

DO NOT SCALE DRAWING

INCH [MILLIMETER]

SCALE:
NONE

PROD.LINE 106

SHEET 1 OF 1