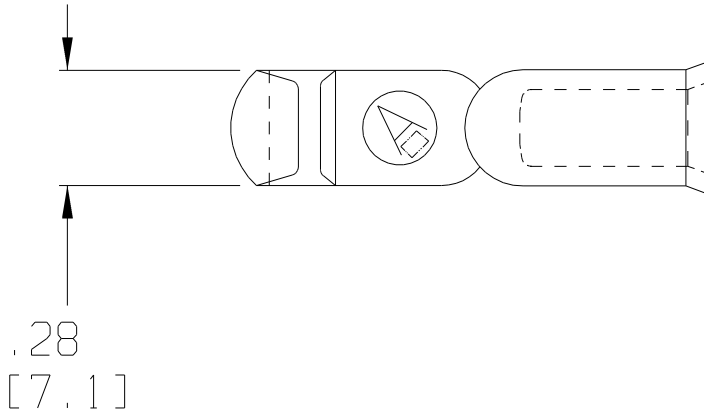


MAT SPEC.  
COPPER ALLOY

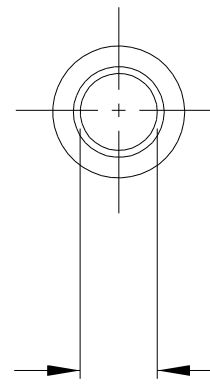
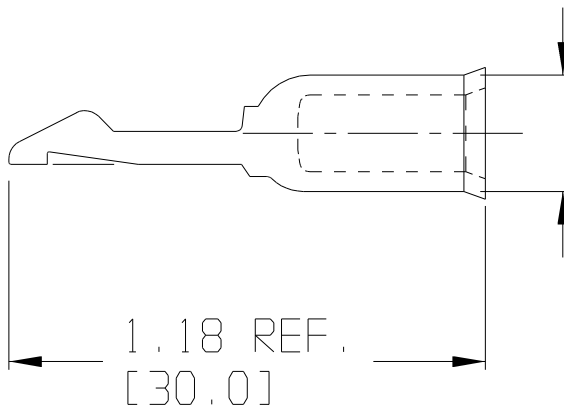
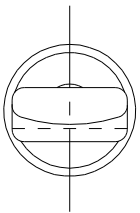
FINISH  
SILVER PLATE

REVISIONS

2 ECRN 13635 CHB 11/11/03



.28 DIA.  
[7.1]



CATALOG NO. 5952

DRAWN BY  
DMM 9/03

CAD DRAWING NO.  
01836 - LEVEL 2

DISC NO.

ANDERSON POWER PRODUCTS RESERVES THE RIGHT TO ALTER PRODUCT TYPES, THEIR TECHNICAL DATA, DIMENSIONS, STYLE AND ACCESSORIES WITHOUT PRIOR NOTIFICATION. UTILIZATION OF THIS DRAWING FOR ANY OTHER PURPOSE OTHER THAN GENERAL INFORMATION IS NOT PERMITTED WITHOUT PRIOR WRITTEN CONSENT.

CHECKED BY  
DJD 11/03

MFG APP.  
DSM 11/03

Q.C. APP.  
RPO 11/03

ENG APP.  
LFN 11/03

SCALE:  
NONE

TITLE

OUTLINE  
PP75/SB50 CONTACT  
FOR 10mm<sup>2</sup> AND #8 WIRE  
HIGH DETENT



DRAWING NO.  
113876S1

REV.  
2

PROD. LINE 106

SHEET 1 OF 1

DO NOT SCALE DRAWING

INCH [MILLIMETER]