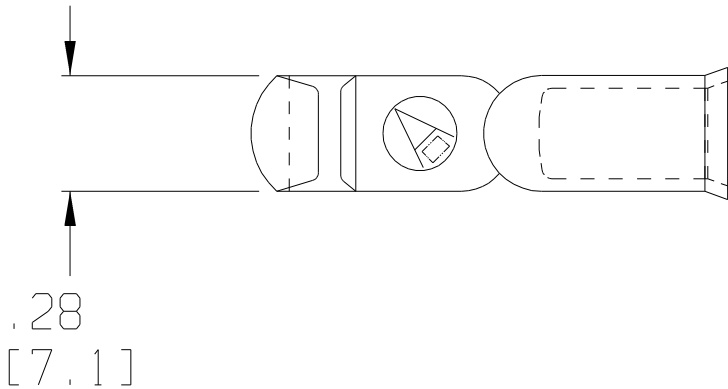


MAT SPEC.
COPPER ALLOY

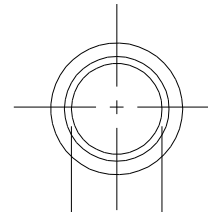
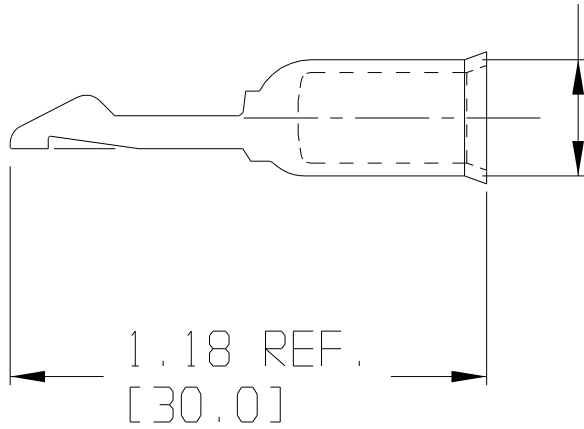
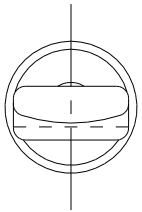
FINISH
SILVER PLATE

REVISIONS

10 ECRN 13635 CHB 11/11/03



.28 DIA.
[7.1]



.22 DIA.
[5.6]
X .43 [10.9]
DEEP

CATALOG NO. 5900

DRAWN BY
DMM 9/03

CAD DRAWING NO.
01835 - LEVEL 2

DISC NO.

ANDERSON POWER PRODUCTS RESERVES THE RIGHT TO ALTER PRODUCT TYPES, THEIR TECHNICAL DATA, DIMENSIONS, STYLE AND ACCESSORIES WITHOUT PRIOR NOTIFICATION. UTILIZATION OF THIS DRAWING FOR ANY OTHER PURPOSE OTHER THAN GENERAL INFORMATION IS NOT PERMITTED WITHOUT PRIOR WRITTEN CONSENT.

CHECKED BY
DJD 11/03

MFG APP.
DSM 11/03

Q.C. APP.
RPO 11/03

ENG APP.
LFN 11/03

SCALE:
NONE

TITLE

OUTLINE
PP75/SB50 CONTACT
FOR #6 WIRE
HIGH DETENT



DRAWING NO.

1C0608S4

REV.

10

DO NOT SCALE DRAWING

INCH [MILLIMETER]

PROD.LINE 106

SHEET 1 OF 1