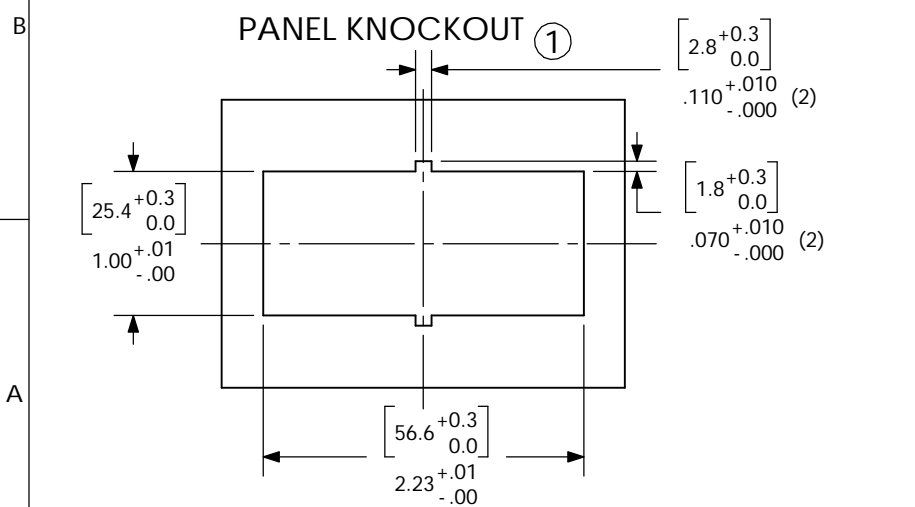
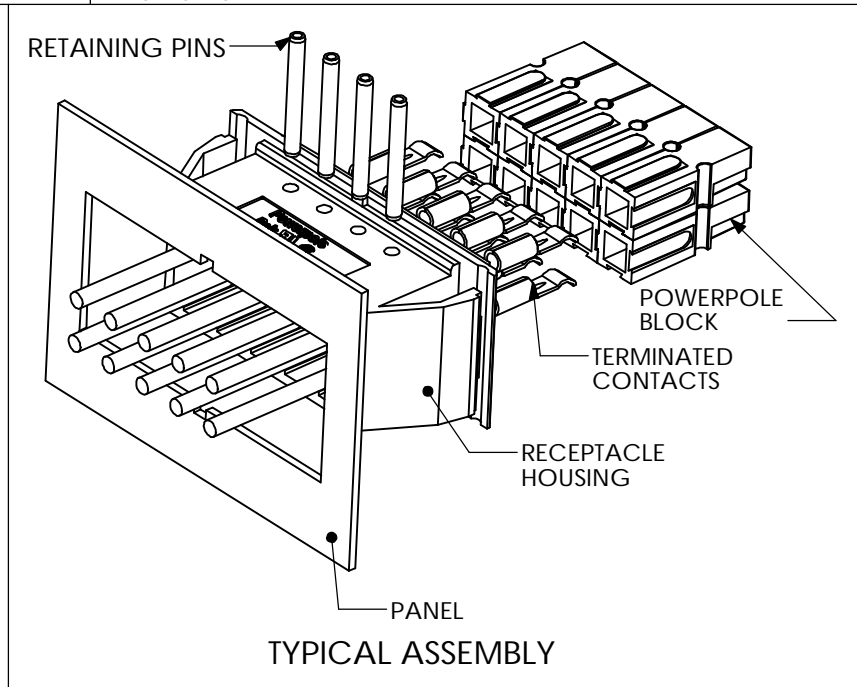
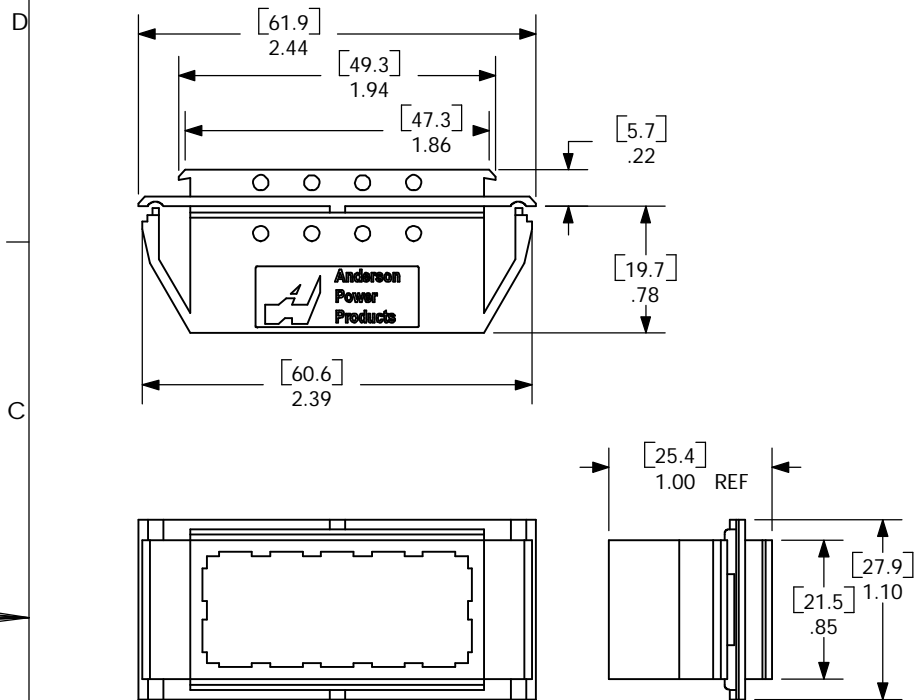


THE INFORMATION CONTAINED IN THIS DRAWING IS THE SOLE PROPERTY OF ANDERSON POWER PRODUCTS. ANY REPRODUCTION IN PART OR WHOLE WITHOUT THE WRITTEN PERMISSION OF ANDERSON POWER PRODUCTS IS PROHIBITED.

Copyright 2005

ANDERSON POWER PRODUCTS RESERVES THE RIGHT TO ALTER PRODUCT TYPES, THEIR TECHNICAL DATA, DIMENSION, STYLE AND ACCESSORIES WITHOUT PRIOR NOTIFICATION.



- NOTES:
- CATALOG NUMBER 1470G4 CONSISTS OF RECEPTACLE HOUSING ONLY. ASSEMBLY COMONENTS (POWERPOLES, RETAINING PINS, ETC) ARE ORDERED SEPARATELY.
 - DESIGNED FOR PANELS: .030-.090[.76-2.29mm] THICK (1)
 - KNOCKOUT SIZE: SEE LAYOUT

DIMENSIONS ARE IN: INCH[MM]		APPROVALS		ANDERSON POWER PRODUCTS	
UNLESS OTHERWISE STATED		DRAWN	CMS	11/3/05	TITLE
TOLERANCES:		CHECKED	DJD	11/4/05	
DECIMALS (INCH)	DECIMALS (MM)	ANGLES	MFG APP	CHB	11/7/05
.XX ± .02	.X ± .5	± 2°	QC APP	JA	11/4/05
SURFACE FINISH:		ENG APP		DAM	11/7/05
MACHINED	128 [3.2] ✓	SIZE		A/A4	DWG NO.
MOLDED	64 [1.6] ✓	MATERIAL:		POLYCARBONATE	
FINISH: NONE		SCALE		NONE	
3rd ANGLE PROJECTION		-CAD GENERATED DRAWING- DO NOT MANUALLY UPDATE DO NOT SCALE		CADCADFILE	
REV. 1		DESCRIPTION OF CHANGES		114167S4	
ECRN 13944: ADD KO, UPDATE NOTES		APPROVED		02430	
CMS		DATE		11/11/06	
1		8		1 OF 1	

1	ECRN 13944: ADD KO, UPDATE NOTES	CMS	01/11/06
REV.	DESCRIPTION OF CHANGES	APPROVED	DATE