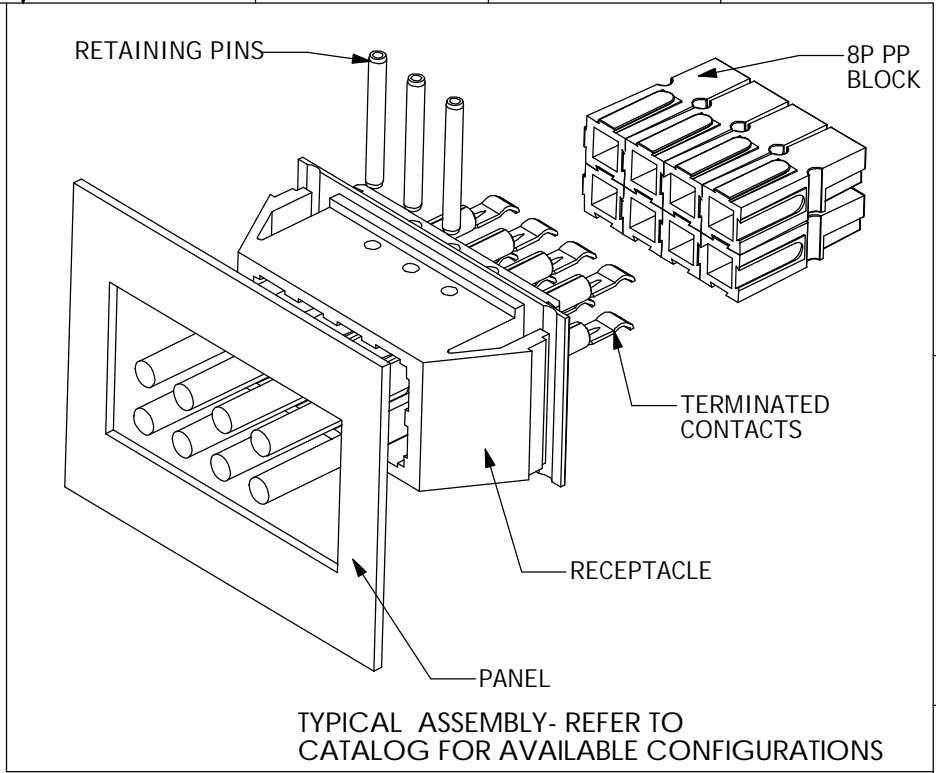
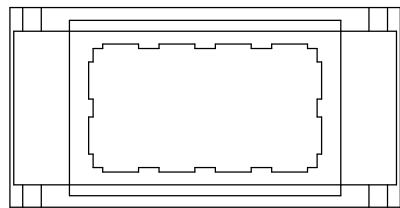
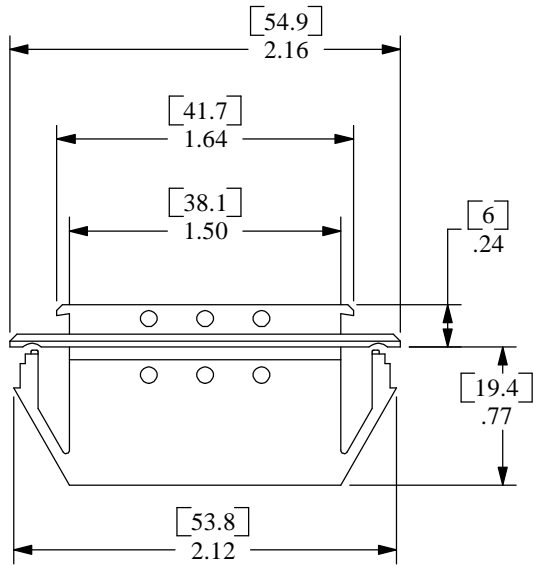


8 7 6 5 4 3 2 1

THE INFORMATION CONTAINED IN THIS DRAWING IS THE SOLE PROPERTY OF ANDERSON POWER PRODUCTS. ANY REPRODUCTION IN PART OR WHOLE WITHOUT THE WRITTEN PERMISSION OF ANDERSON POWER PRODUCTS IS PROHIBITED.

D	DATE
BY:	
DESCRIPTION OF CHANGES	
REV.	



B

A

NOTES:

- DESIGNED FOR PANELS .030- .134" (.76- 3.4mm) THICK
- KNOCKOUT SIZE 1.00 X 1.88 (25.4 X 47.8)

ITEM NO.	PART OR IDENTIFYING NO.	NOMENCLATURE OR DESCRIPTION	MATERIAL SPECIFICATION	QTY RECD
COPYRIGHT 1999 ANDERSON POWER PRODUCTS. ALL RIGHTS RESERVED. UNAUTHORIZED REPRODUCTION HEREBY PROHIBITED.				
DIMENSIONS ARE IN INCHES DIMENSIONS IN PARENTHESES [] ARE IN MILLIMETERS		CAD GENERATED DRAWING. DO NOT MANUALLY UPDATE	ANDERSON POWER PRODUCTS	
TOLERANCES ARE: 2PL- ±.02 [±.5]		APPROVALS	DATE	
MATERIALS: <i>POLYCARBONATE</i>		DRAWN CMS	8/20/99	
FINISH <i>NONE</i>		CHECKED DJD	8/20/99	
NEXT ASSY		RESP ENG UFN	8/21/99	
USED ON		MFG ENG CHB	8/23/99	
APPLICATION		QUAL ENG RO	8/23/99	
DO NOT SCALE DRAWING			SIZE A	SPECIFICATION: 114167S3
			SCALE NONE	REV. 0
			CADFILES/01096	SHEET 1 OF 1

8 7 6 5 4 3 2 1