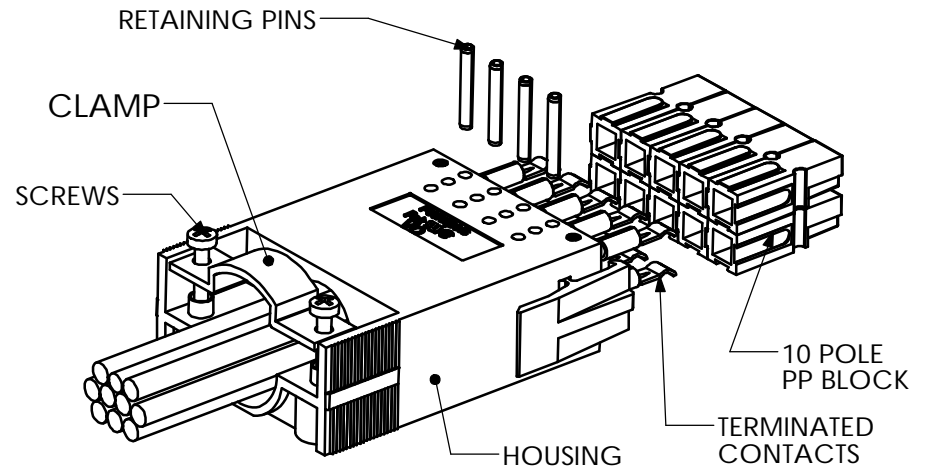
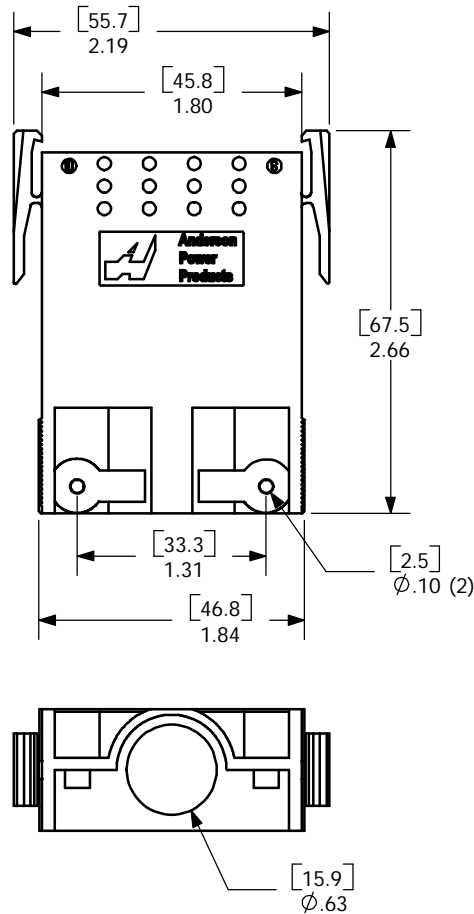


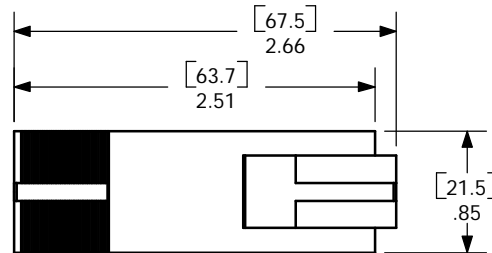
THE INFORMATION CONTAINED IN THIS DRAWING IS THE SOLE PROPERTY OF ANDERSON POWER PRODUCTS. ANY REPRODUCTION IN PART OR WHOLE WITHOUT THE WRITTEN PERMISSION OF ANDERSON POWER PRODUCTS IS PROHIBITED.

Copyright 2005

ANDERSON POWER PRODUCTS RESERVES THE RIGHT TO ALTER PRODUCT TYPES, THEIR TECHNICAL DATA, DIMENSION, STYLE AND ACCESSORIES WITHOUT PRIOR NOTIFICATION.



TYPICAL ASSEMBLY



CATALOG NUMBER 1460G4 CONSISTS OF OUTER HOUSING ONLY. ASSEMBLY COMPONENTS (POWERPOLES, RETAINING PINS, ETC) ARE ORDERED SEPARATELY.

DIMENSIONS ARE IN: INCH[MM]		APPROVALS		ANDERSON POWER PRODUCTS	
UNLESS OTHERWISE STATED		DRAWN	CMS	11/3/05	TITLE
TOLERANCES:		CHECKED	DJD	11/4/05	
DECIMALS (INCH)	DECIMALS (MM)	ANGLES	MFG APP	CHB	11/7/05
.XX ± .02	.X ± .5	± 2°	QC APP	JA	11/7/05
SURFACE FINISH:		ENG APP	DAM	11/7/05	SIZE
MACHINED	128 [3.2] ✓			A/A4	DWG NO.
MOLDED	64 [1.6] ✓			NONE	114165S4
MATERIAL: POLYCARBONATE				SCALE	CADFILE
FINISH: NONE				NONE	02429
				REVISION	0
				SHEET	1 OF 1

REV.	DESCRIPTION OF CHANGES	APPROVED	DATE



-CAD GENERATED DRAWING-
DO NOT MANUALLY UPDATE
DO NOT SCALE