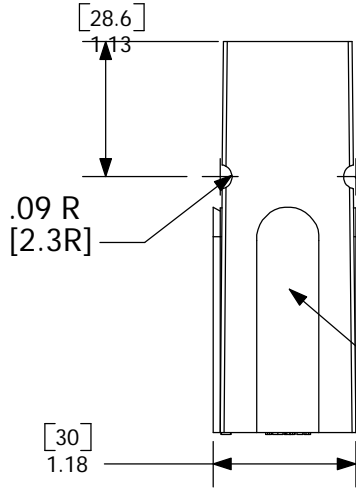


THE INFORMATION CONTAINED IN THIS DRAWING IS THE SOLE PROPERTY OF ANDERSON POWER PRODUCTS. ANY REPRODUCTION IN PART OR WHOLE WITHOUT THE WRITTEN PERMISSION OF ANDERSON POWER PRODUCTS IS PROHIBITED.

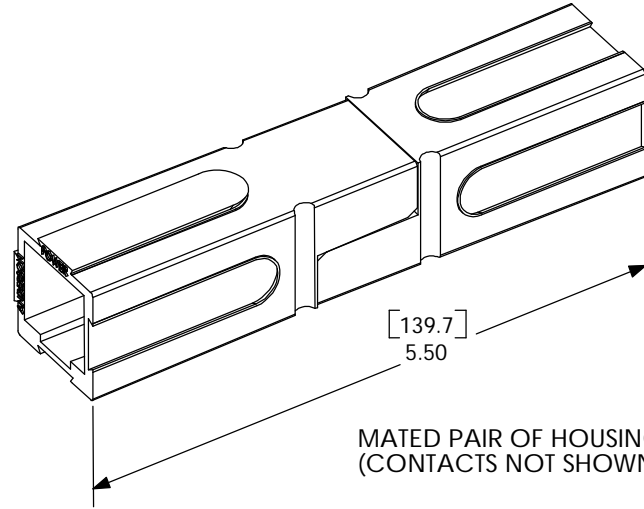
ANDERSON POWER PRODUCTS RESERVES THE RIGHT TO ALTER PRODUCT TYPES, THEIR TECHNICAL DATA, DIMENSION, STYLE AND ACCESSORIES WITHOUT PRIOR NOTIFICATION.

REV.	DESCRIPTION OF CHANGES	BY:	DATE
		CGC	4/23/98
5	UPDATED TO CAD (ECRN 13058)	CMS	10/23/01
6	ECRN 13433		

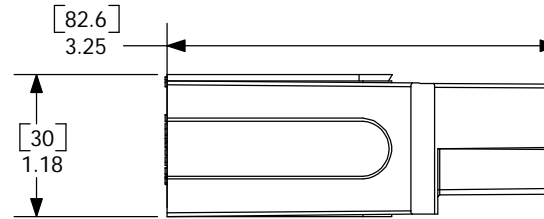
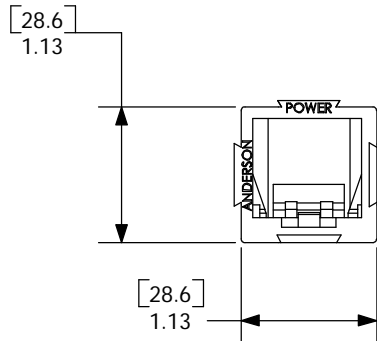


WHEN MATED SIDE TO SIDE, HALF-ROUNDS ALIGN TO FORM A SLOT FOR ROLL PIN INSERTION, WHICH PROTECTS AGAINST ACCIDENTAL DISLODGING OF MATED HOUSINGS.

DOVETAILS ALLOW STACKING IN VERTICAL, HORIZONTAL, OR IN BLOCK CONFIGURATIONS.



MATED PAIR OF HOUSINGS (CONTACTS NOT SHOWN)



CAT. NO.	COLOR
1381	BLUE
1381G1	BLACK
1381G2	WHITE
1381G3	RED
1381G4	GREEN

NOTES:

1. SPRING/HOUSING ASSEMBLIES ARE UL RECOGNIZED PER FILE E26226 AND CSA CERTIFIED PER LR25154.
2. THESE HOUSING ASSEMBLIES ACCOMMODATE ANDERSON CONTACTS FOR WIRE RANGES FROM #2 AWG TO 1/0 AWG.
3. FOR ASSEMBLY INSTRUCTIONS, SEE DOCUMENT 1S1072.
4. HOUSINGS: POLYCARBONATE, UL94V0.
SPRING: STAINLESS STEEL.
FOR OTHER COLORS, CONSULT ANDERSON POWER PRODUCTS.

ITEM NO.	PART OR IDENTIFYING NO.	NOMENCLATURE OR DESCRIPTION	MATERIAL SPECIFICATION	QTY. REQ'D
PARTS LIST				
DIMENSIONS ARE IN INCHES DIMENSIONS IN PARENTHESES [] ARE IN MILLIMETERS TOLERANCES ARE: 2 PLC. DECIMALS +/- .02 [+/- .5]		CAD GENERATED DRAWING, DO NOT MANUALLY UPDATE	ANDERSON POWER PRODUCTS	
MATERIALS: SEE NOTE 4.		APPROVALS	1381-SERIES "POWERPOLE 180" HOUSING/SPRING ASSEMBLY	
FINISH AS MOLDED		DATE	UP TO 180 AMP APPLICATIONS	
DO NOT SCALE DRAWING		DRAWN DJD 8/18/69	SIZE A DWG. NO. 1-9597S3	
NEXT ASSY		CHECKED UFN 10/21/01	REV. 6	
USED ON		RESP'NG ERU 11/7/72	SCALE	
APPLICATION		MFG'ENG CHB 10/21/01	CAD FILE: 00834	
		QUAL'ENG RPO 10/10/01	SHEET 1 OF 1	