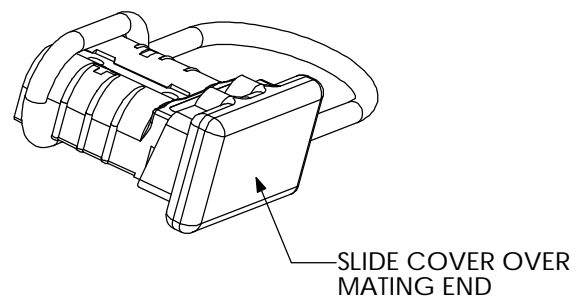
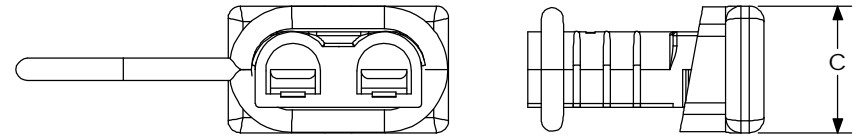
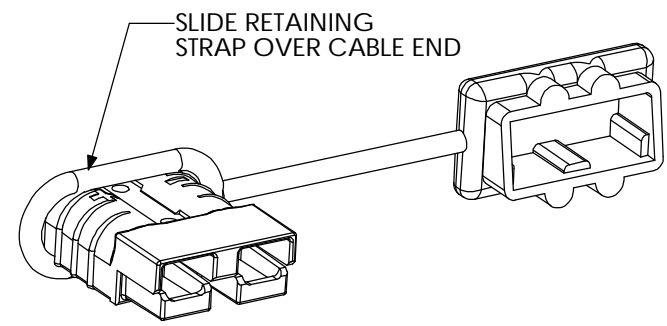
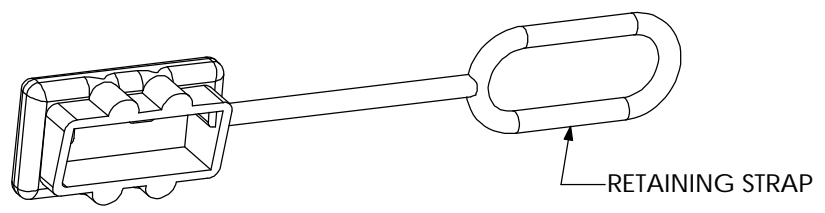
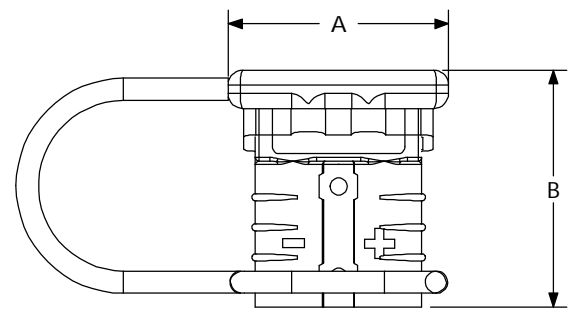


8 7 6 5 4 3 2 1

THE INFORMATION CONTAINED IN THIS DRAWING IS THE SOLE PROPERTY OF ANDERSON POWER PRODUCTS. ANY REPRODUCTION IN PART OR WHOLE WITHOUT THE WRITTEN PERMISSION OF ANDERSON POWER PRODUCTS IS PROHIBITED.

D BY: DATE
C REV. DESCRIPTION OF CHANGES



CAT. NO.	SB SERIES	A		B		C	
		IN	MM	IN	MM	IN	MM
134G1	SB50	1.83	46.5	2.03	51.6	2.28	30.0
134G2	SB175	2.73	69.3	3.40	86.4	1.50	38.1
134G3	SB350	3.47	88.1	4.44	112.8	1.90	48.3

NOTES:

1. CONNECTOR SOLD SEPARATELY
2. DUST COVERS DO NOT PROVIDE A HERMETIC SEAL
3. MAY BE USED WITH CABLE CLAMPS

NEXT ASSY	USED ON
APPLICATION	

ITEM NO.	PART OR IDENTIFYING NO.	NOMENCLATURE OR DESCRIPTION	MATERIAL SPECIFICATION	QTY RECD	
COPYRIGHT 1999 ANDERSON POWER PRODUCTS. ALL RIGHTS RESERVED. UNAUTHORIZED REPRODUCTION HEREBY PROHIBITED.					
DIMENSIONS ARE IN INCHES DIMENSIONS IN PARENTHESES [] ARE IN MILLIMETERS		CAD GENERATED DRAWING. DO NOT MANUALLY UPDATE	ANDERSON POWER PRODUCTS		
TOLERANCES ARE: 2PL- ±.02 [±.5]		APPROVALS			DATE
MATERIALS: ELASTOMER- RED		DRAWN			CMS 11/4/99
FINISH: AS MOLDED		CHECKED			DJD 1/31/00
		RESP ENG	UFN 2/1/00	SIZE A SPECIFICATION: 114209S1 REV. 0	
		MFG ENG	CHB 2/1/00		
		QUAL ENG	RPO 2/1/00		
DO NOT SCALE DRAWING		SCALE NONE	CADFILES/01136	SHEET 1 OF 1	

8 7 6 5 4 3 2 1