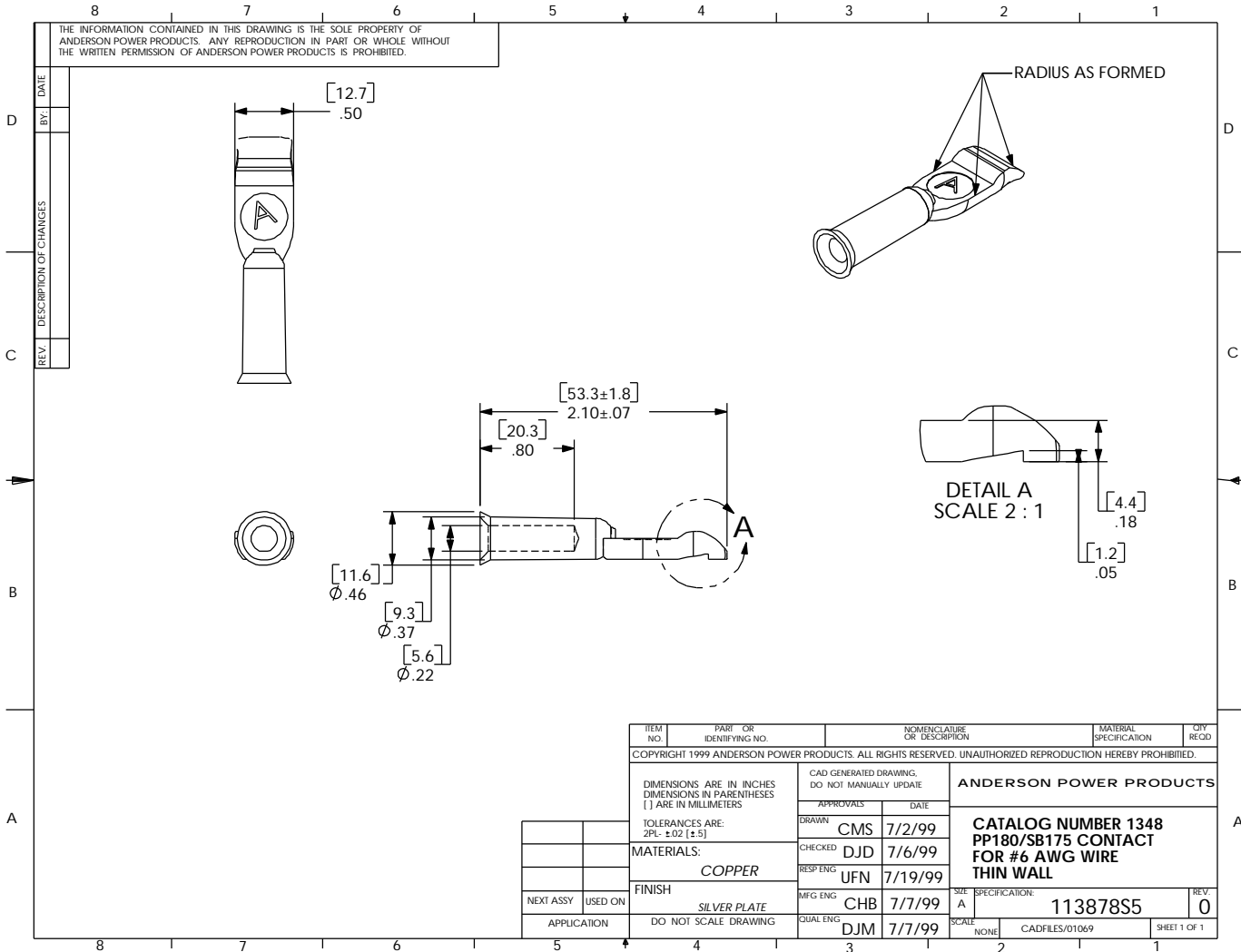


THE INFORMATION CONTAINED IN THIS DRAWING IS THE SOLE PROPERTY OF ANDERSON POWER PRODUCTS. ANY REPRODUCTION IN PART OR WHOLE WITHOUT THE WRITTEN PERMISSION OF ANDERSON POWER PRODUCTS IS PROHIBITED.



REV.	DESCRIPTION OF CHANGES	BY:	DATE

ITEM NO.	PART OR IDENTIFYING NO.	NOMENCLATURE OR DESCRIPTION	MATERIAL SPECIFICATION	QTY. REQ'D
COPYRIGHT 1999 ANDERSON POWER PRODUCTS. ALL RIGHTS RESERVED. UNAUTHORIZED REPRODUCTION HEREBY PROHIBITED.				
DIMENSIONS ARE IN INCHES DIMENSIONS IN PARENTHESES [] ARE IN MILLIMETERS		CAD GENERATED DRAWING. DO NOT MANUALLY UPDATE		ANDERSON POWER PRODUCTS
TOLERANCES ARE: 2PL ±.02 [±.5]		APPROVALS	DATE	
MATERIALS: <i>COPPER</i>		DRAWN	CMS 7/2/99	CATALOG NUMBER 1348 PP180/SB175 CONTACT FOR #6 AWG WIRE THIN WALL
FINISH <i>SILVER PLATE</i>		CHECKED	DJD 7/6/99	
NEXT ASSY USED ON		RESP ENG	UFN 7/19/99	
APPLICATION DO NOT SCALE DRAWING		MFG ENG	CHB 7/7/99	SIZE A SPECIFICATION: 113878S5
		QUAL ENG	DJM 7/7/99	SCALE: NONE CADFILES/01069
				REV. 0
				SHEET 1 OF 1