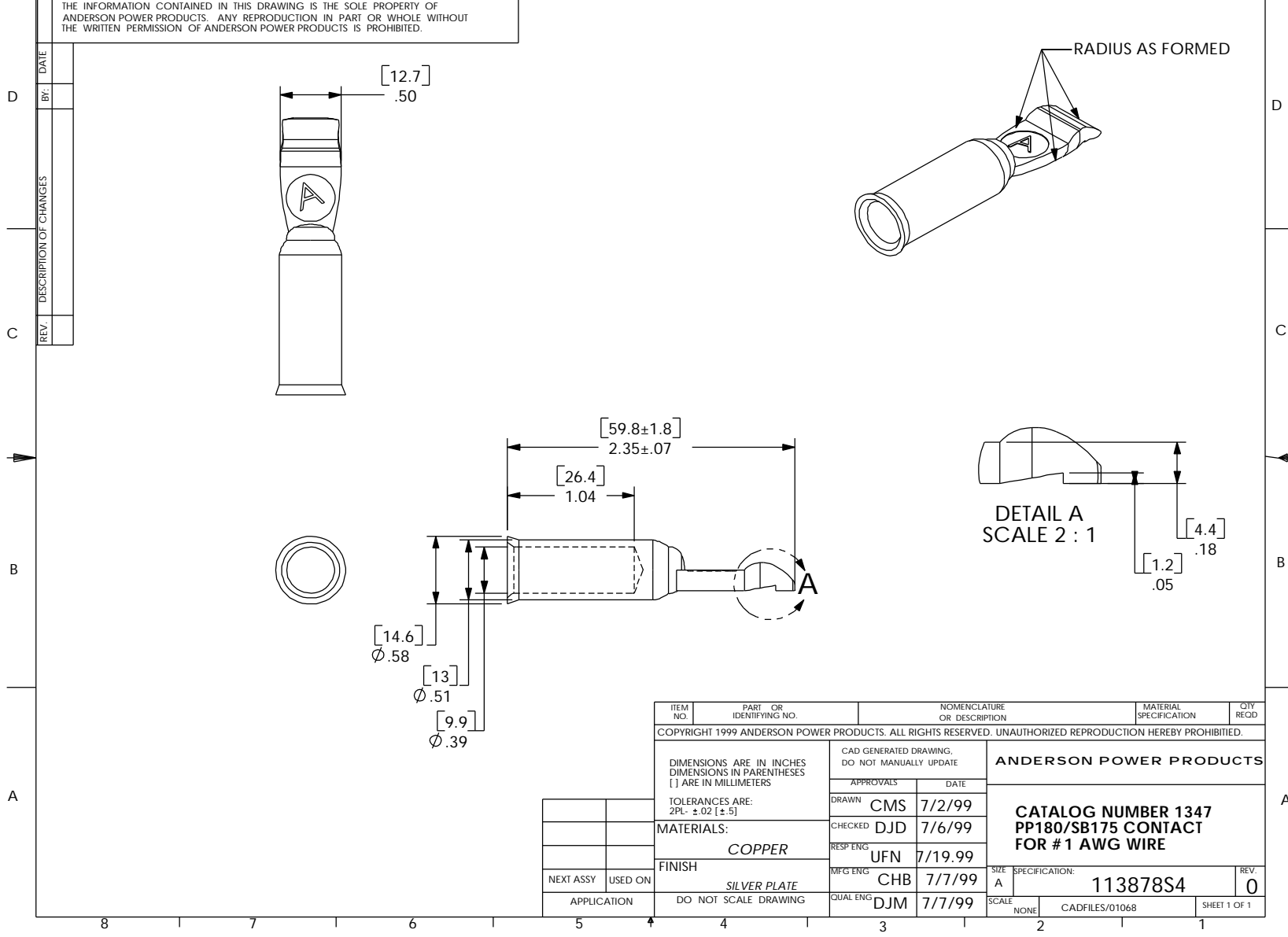


THE INFORMATION CONTAINED IN THIS DRAWING IS THE SOLE PROPERTY OF ANDERSON POWER PRODUCTS. ANY REPRODUCTION IN PART OR WHOLE WITHOUT THE WRITTEN PERMISSION OF ANDERSON POWER PRODUCTS IS PROHIBITED.



REV.	DESCRIPTION OF CHANGES
BY:	DATE

ITEM NO.	PART OR IDENTIFYING NO.	NOMENCLATURE OR DESCRIPTION	MATERIAL SPECIFICATION	QTY RECD
COPYRIGHT 1999 ANDERSON POWER PRODUCTS. ALL RIGHTS RESERVED. UNAUTHORIZED REPRODUCTION HEREBY PROHIBITED.				
DIMENSIONS ARE IN INCHES DIMENSIONS IN PARENTHESES [] ARE IN MILLIMETERS		CAD GENERATED DRAWING. DO NOT MANUALLY UPDATE		ANDERSON POWER PRODUCTS
TOLERANCES ARE: 2PL- $\pm .02$ [$\pm .5$]		APPROVALS	DATE	
MATERIALS: COPPER		DRAWN	7/2/99	
FINISH SILVER PLATE		CHECKED	7/6/99	
NEXT ASSY USED ON		RESP ENG	7/19/99	
APPLICATION		MFG ENG	7/7/99	
DO NOT SCALE DRAWING		QUAL ENG	7/7/99	
SCALE NONE			CADFILES/01068	SHEET 1 OF 1
SPECIFICATION:			113878S4	REV. 0