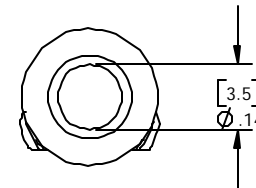
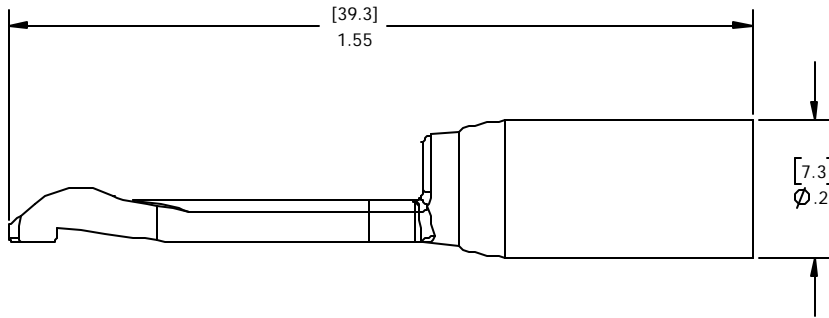
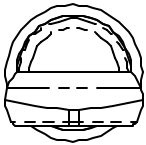
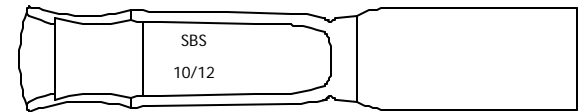
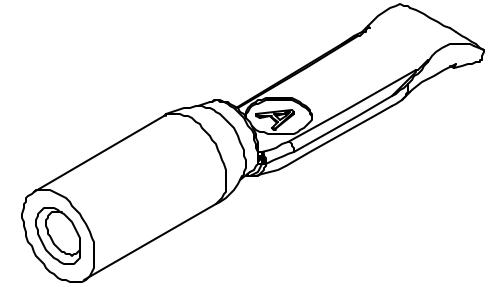
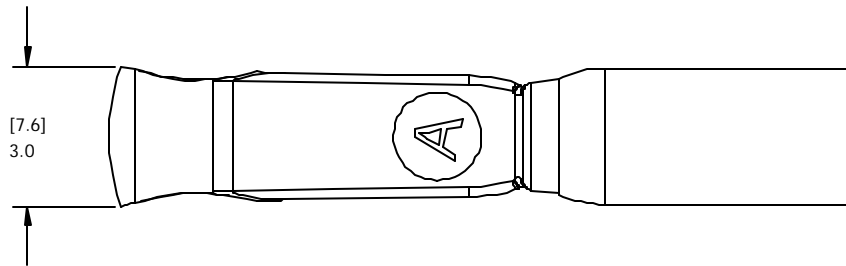


THE INFORMATION CONTAINED IN THIS DRAWING IS THE SOLE PROPERTY OF ANDERSON POWER PRODUCTS. ANY REPRODUCTION IN PART OR WHOLE WITHOUT THE WRITTEN PERMISSION OF ANDERSON POWER PRODUCTS IS PROHIBITED.

COPYRIGHT 2003



CAT NO. 1339G3

		MATERIAL COPPER		UNLESS OTHERWISE SPECIFIED DIMENSIONS ARE IN INCHES		APPROVALS		ANDERSON POWER PRODUCTS	
		FINISH SILVER PLATE		ALL THREADS UNF-UNC, 2A OR 2B MACHINE FINISH		DRAWN GN 6/25/03		TITLE OUTLINE SBS 50 CONTACT 10/12 AWG CRIMP BARREL	
		USED ON		CAD GENERATED DRAWING. DO NOT MANUALLY UPDATE		CHECKED DJD 6/26/03		DWG. NO. B01853S3	
		REV.		THIRD ANGLE PROJECTION		DM 6/26/03		REV. 0	
		DESCRIPTION		DO NOT SCALE DRAWING		ROM 6/27/03		SCALE	
		REVISIONS		APPROVED		ENG APP UFN 6/27/03		CADFILE 01778	
		DATE						SHEET 1 of 1	

