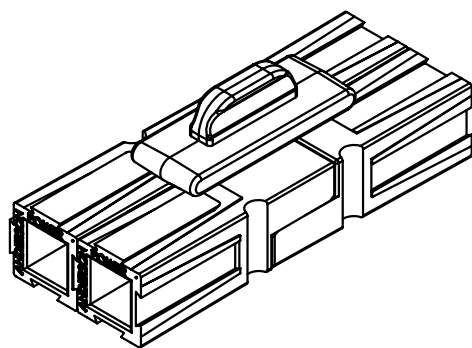
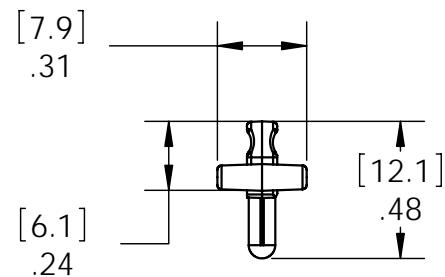
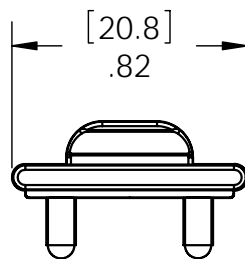
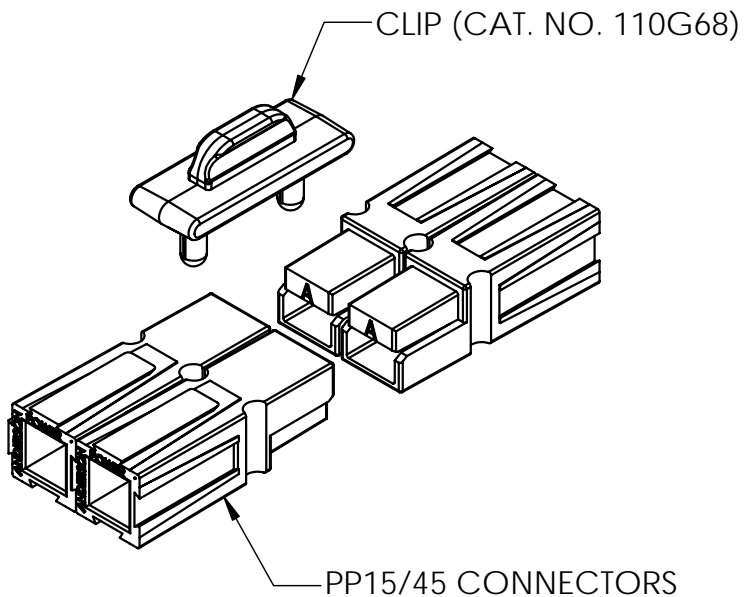



THE INFORMATION CONTAINED IN THIS DRAWING IS THE SOLE PROPERTY OF ANDERSON POWER PRODUCTS. ANY REPRODUCTION IN PART OR WHOLE WITHOUT THE WRITTEN PERMISSION OF ANDERSON POWER PRODUCTS IS PROHIBITED.

Copyright 2007

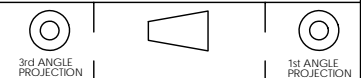
ANDERSON POWER PRODUCTS RESERVES THE RIGHT TO ALTER PRODUCT TYPES, THEIR TECHNICAL DATA, DIMENSION, STYLE AND ACCESSORIES WITHOUT PRIOR NOTIFICATION.



NOTE: CONNECTORS SOLD SEPARATELY

DIMENSIONS ARE IN:		INCH[MM]	APPROVALS		 ANDERSON POWER PRODUCTS		
UNLESS OTHERWISE STATED			DRAWN	AMS 01/24/07		TITLE RETENTION CLIP FOR PP15/45 CONNECTORS	
TOLERANCES:			CHECKED	DJD 01/25/07			
DECIMALS (INCH)	DECIMALS (MM)	ANGLES	MFG APP	CHB 01/25/07			
.XX ±.02	.X ±.5	±2°	QC APP	UFN 01/24/07			
SURFACE FINISH:			ENG APP	DAM 01/24/07	SIZE	DWG NO.	REV.
MACHINED	128 [3.2]	✓			A/A4	114717S1	0
MOLDED	64 [1.6]	✓					
MATERIAL: POLYCARBONATE					SCALE	CADFILE	SHEET
FINISH:					NONE	02628	1 OF 1
					-CAD GENERATED DRAWING- DO NOT MANUALLY UPDATE DO NOT SCALE		

REV.	DESCRIPTION OF CHANGES	APPROVED	DATE



8 7 6 5 4 3 2 1