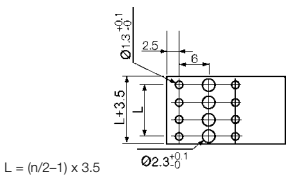
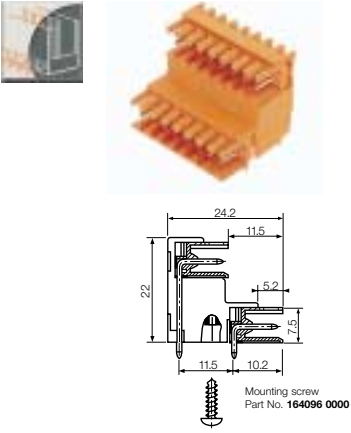


Omnimate Range - 3.50 mm Pitch



Pin headers SLD 3.5V/90



Technical data	VDE	UL	CSA
Rated voltage (V)	125*	300	300
Rated current (A)	8	10	10

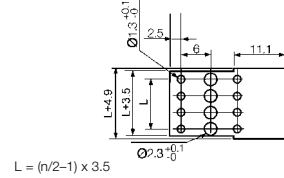
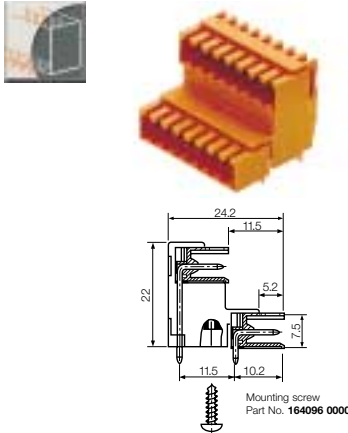
*Pollution severity 3 / Overvoltage category III
Additional technical data see page 212

Solder pin length	3.2 mm	4.5 mm
Color		

Poles	Type	Part No.	Part No.	Qty.
4	SLD 3.5 V/4/90	1642090000	1642620000	50
8	SLD 3.5 V/8/90	1642100000	1642630000	50
12	SLD 3.5 V/12/90	1642110000	1642640000	50
16	SLD 3.5 V/16/90	1642120000	1642650000	50
20	SLD 3.5 V/20/90	1642130000	1642660000	20
24	SLD 3.5 V/24/90	1642140000	1642670000	20
28	SLD 3.5 V/28/90	1642150000	1642680000	10
32	SLD 3.5 V/32/90	1642160000	1642690000	10
36	SLD 3.5 V/36/90	1642170000	1642700000	10
40	SLD 3.5 V/40/90	1642180000	1642710000	10
44	SLD 3.5 V/44/90	1642190000	1642720000	10
48	SLD 3.5 V/48/90	1642200000	1642730000	10

Accessories	Page
Mounting	188
Marking	190
Coding	193
Miscellaneous	-

Pin headers SLD 3.5V/90G



Technical data	VDE	UL	CSA
Rated voltage (V)	125*	300	300
Rated current (A)	8	10	10

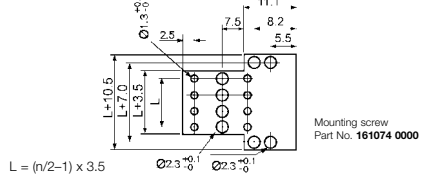
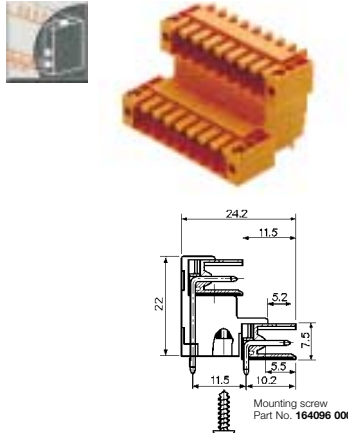
*Pollution severity 3 / Overvoltage category III
Additional technical data see page 212

Solder pin length	3.2 mm	4.5 mm
Color		

Poles	Type	Part No.	Part No.	Qty.
4	SLD 3.5 V/4/90G	1642240000	1642860000	50
8	SLD 3.5 V/8/90G	1642250000	1642870000	50
12	SLD 3.5 V/12/90G	1642260000	1642880000	50
16	SLD 3.5 V/16/90G	1642270000	1642890000	50
20	SLD 3.5 V/20/90G	1642280000	1642900000	20
24	SLD 3.5 V/24/90G	1642290000	1642910000	20
28	SLD 3.5 V/28/90G	1642300000	1642920000	10
32	SLD 3.5 V/32/90G	1642310000	1642930000	10
36	SLD 3.5 V/36/90G	1642320000	1642940000	10
40	SLD 3.5 V/40/90G	1642330000	1642950000	10
44	SLD 3.5 V/44/90G	1642340000	1642960000	10
48	SLD 3.5 V/48/90G	1642350000	1642970000	10

Accessories	Page
Mounting	188
Marking	190
Coding	193
Miscellaneous	-

Pin headers SLD 3.5V/90F



Technical data	VDE	UL	CSA
Rated voltage (V)	125*	300	300
Rated current (A)	8	10	10

*Pollution severity 3 / Overvoltage category III
Additional technical data see page 212

Solder pin length	3.2 mm	4.5 mm
Color		

Poles	Type	Part No.	Part No.	Qty.
4	SLD 3.5 V/4/90F	1642370000	1643100000	50
8	SLD 3.5 V/8/90F	1642380000	1643110000	50
12	SLD 3.5 V/12/90F	1642390000	1643120000	50
16	SLD 3.5 V/16/90F	1642400000	1643130000	20
20	SLD 3.5 V/20/90F	1642410000	1643140000	20
24	SLD 3.5 V/24/90F	1642420000	1643150000	10
28	SLD 3.5 V/28/90F	1642430000	1643160000	10
32	SLD 3.5 V/32/90F	1642440000	1643170000	10
36	SLD 3.5 V/36/90F	1642450000	1643180000	10
40	SLD 3.5 V/40/90F	1642460000	1643190000	10
44	SLD 3.5 V/44/90F	1642470000	1643200000	10
48	SLD 3.5 V/48/90F	1642480000	1643210000	10

Accessories	Page
Mounting	188
Marking	190
Coding	193
Miscellaneous	-