

# Heavy Duty Terminal Blocks

## 1103P and 1200 Series - Deadfront Type

### 600 Volts

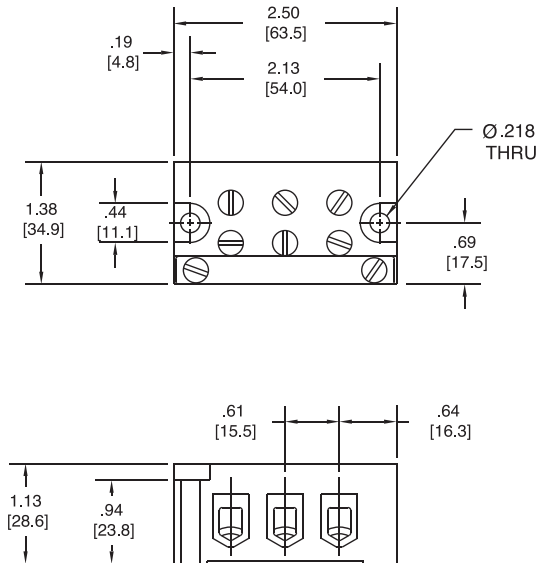
#### Specifications:

- Base, General Purpose Phenolic, 150° C
- Connector, Aluminum, Tin Plated
- Screws, Steel, Tin Plated
- 1103 P Wire Range #4-#14 AWG CU – 70 Amps
- 1200 Wire Range #4-#18 AWG CU – 70 Amps
- UL Recognized File No. #E62806
- CSA Certified File No. LR19766
- CE - Wire Range Reduced 1103 P #6-#18 AWG CU  
1200 #6-#14 AWG CU

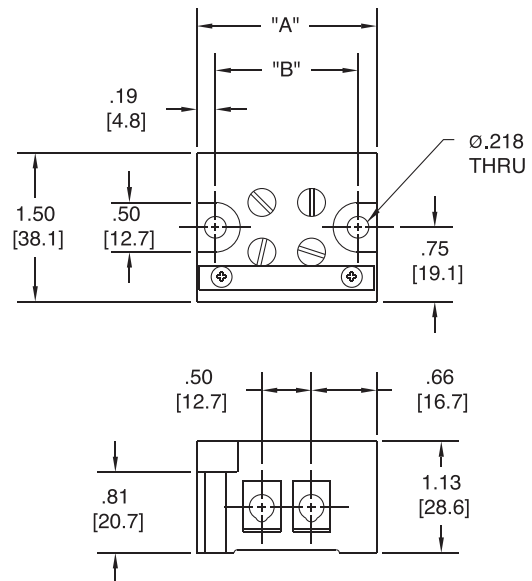


Catalog#	# of Poles	A	B
1202	2	1.81	1.44
1204	4	2.81	2.44
1206	6	3.81	3.44

MM = Dim X 25.4



1103P Series



1200 Series

Heavy Duty Terminal Blocks